

INTRODUCTION

Thank you for purchasing a Honda engine! We want to help you to get the best results from your new engine and to operate it safely. This manual contains information on how to do that; please read it carefully before operating the engine. If a problem should arise, or if you have any questions about your engine, consult an authorized Honda servicing dealer.

All information in this publication is based on the latest product information available at the time of printing. Honda Motor Co., Ltd. reserves the right to make changes at any time without notice and without incurring any obligation. No part of this publication may be reproduced without written permission.


This manual should be considered a permanent part of the engine and should remain with the engine if resold.

Review the instructions provided with the equipment powered by this engine for any additional information regarding engine startup, shutdown, operation, adjustments or any special maintenance instructions.


United States, Puerto Rico, and U.S. Virgin Islands:
We suggest you read the warranty policy to fully understand its coverage and your responsibilities of ownership. The warranty policy is a separate document that should have been given to you by your dealer.


SAFETY MESSAGES


Your safety and the safety of others are very important. We have provided important safety messages in this manual and on the engine. Please read these messages carefully.

A safety message alerts you to potential hazards that could hurt you or others. Each safety message is preceded by a safety alert symbol  and one of three words, DANGER, WARNING, or CAUTION.

These signal words mean:

 **DANGER** You WILL be KILLED or SERIOUSLY HURT if you don't follow instructions.


 **WARNING** You CAN be KILLED or SERIOUSLY HURT if you don't follow instructions.

 **CAUTION** You CAN be HURT if you don't follow instructions.

Each message tells you what the hazard is, what can happen, and what you can do to avoid or reduce injury.

DAMAGE PREVENTION MESSAGES

You will also see other important messages that are preceded by the word NOTICE.

This word means:
 **NOTICE** Your engine, other property, or the environment can be damaged if you don't follow instructions.

This entire book is filled with important safety information – please read it carefully.

©2019 Honda Motor Co., Ltd. –All Rights Reserved

iGX700 · iGX800

37ZEA601
00X37-ZEA-6010

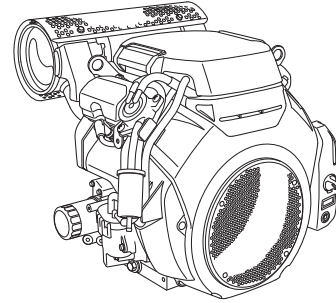
HONDA



OWNER'S MANUAL

MANUEL DE L'UTILISATEUR

MANUAL DEL PROPIETARIO

iGX700 • iGX800



 **WARNING:** 
The engine exhaust from this product contains chemicals known to the State of California to cause cancer, birth defects or other reproductive harm.

CONTENTS

INTRODUCTION.....	1	SPARK PLUG.....	10
SAFETY MESSAGES.....	1	SPARK ARRESTER.....	10
SAFETY INFORMATION.....	2	HELPFUL TIPS &	
SAFETY LABEL LOCATION.....	2	SUGGESTIONS.....	11
COMPONENT & CONTROL		STORING YOUR ENGINE... 11	
LOCATION.....	3	TRANSPORTING.....	12
FEATURES.....	3	TAKING CARE OF	
BEFORE OPERATION		UNEXPECTED PROBLEMS ... 12	
CHECKS.....	4	FUSE REPLACEMENT.....	13
OPERATION.....	4	TECHNICAL INFORMATION... 13	
SAFE OPERATING		Serial Number Location 13	
PRECAUTIONS.....	4	Battery Connections for	
STARTING THE ENGINE.....	5	Electric Starter.....	14
STOPPING THE ENGINE.....	5	Emission Control System	
SETTING ENGINE SPEED.....	6	Information.....	14
SERVICING YOUR ENGINE.....	6	Air Index.....	15
THE IMPORTANCE OF		Specifications.....	16
MAINTENANCE.....	6	Tuneup Specifications.....	16
MAINTENANCE SAFETY.....	6	Quick Reference	
SAFETY PRECAUTIONS.....	7	Information.....	16
MAINTENANCE		Wiring Diagrams.....	17
SCHEDULE.....	7	CONSUMER INFORMATION... 18	
REFUELING.....	7	Warranty and	
Recommended Fuel.....	7	Distributor/Dealer	
ENGINE OIL.....	8	Locator Information.....	18
Recommended Oil.....	8	Customer Service	
Oil Level Check.....	8	Information.....	18
Oil Change.....	8		
AIR CLEANER.....	9		
Inspection.....	9		
Cleaning.....	9		

ENGLISH

FRANÇAIS

ESPAÑOL

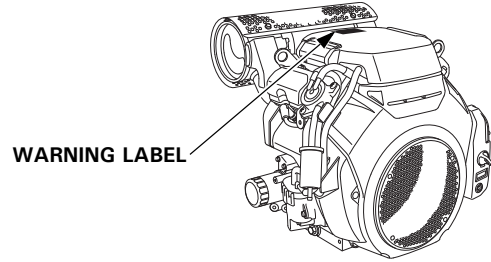
SAFETY INFORMATION

- Understand the operation of all controls and learn how to stop the engine quickly in case of emergency. Make sure the operator receives adequate instruction before operating the equipment.
- Do not allow children to operate the engine. Keep children and pets away from the area of operation.
- Your engine's exhaust contains poisonous carbon monoxide. Do not run the engine without adequate ventilation, and never run the engine indoors.
- The engine and exhaust become very hot during operation. Keep the engine at least 1 meter (3 feet) away from buildings and other equipment during operation. Keep flammable materials away, and do not place anything on the engine while it is running.

SAFETY LABEL LOCATION

This label warns you of potential hazards that can cause serious injury. Read it carefully.

If the label comes off or becomes hard to read, contact your servicing dealer for replacement.



WARNING LABEL	For EU	Except EU
	attached to product	supplied with product
<p>▲ WARNING Gasoline is highly flammable and explosive. Turn engine off and let cool before refueling. The engine emits toxic carbon monoxide. Do not run in an enclosed area. Read Owner's Manual before operation.</p>	supplied with product	attached to product
<p>▲ ATTENTION L'essence est très inflammable et explosive. Arrêter le moteur et le laisser refroidir avant de faire le plein d'essence. Le moteur produit les vapeurs nocives de monoxyde de carbone. Ne pas utiliser dans un local clos. Lire le manuel de propriétaire avant l'utilisation.</p>	supplied with product	supplied with product

Honda factory equipped muffler.

MUFFLER CAUTION LABEL	
	not included
<p>▲ CAUTION HOT MUFFLER CAN BURN YOU. Stay away if engine has been running.</p>	supplied with product
<p>▲ ATTENTION L'ÉCHAPPEMENT CHAUD PEUT VOUS BRÛLER. S'ÉLOIGNER QUAND LE MOTEUR FONCTIONNE.</p>	supplied with product



Gasoline is highly flammable and explosive. Stop the engine and let cool before refueling.



The engine emits toxic poisonous carbon monoxide gas. Do not run in an enclosed area.

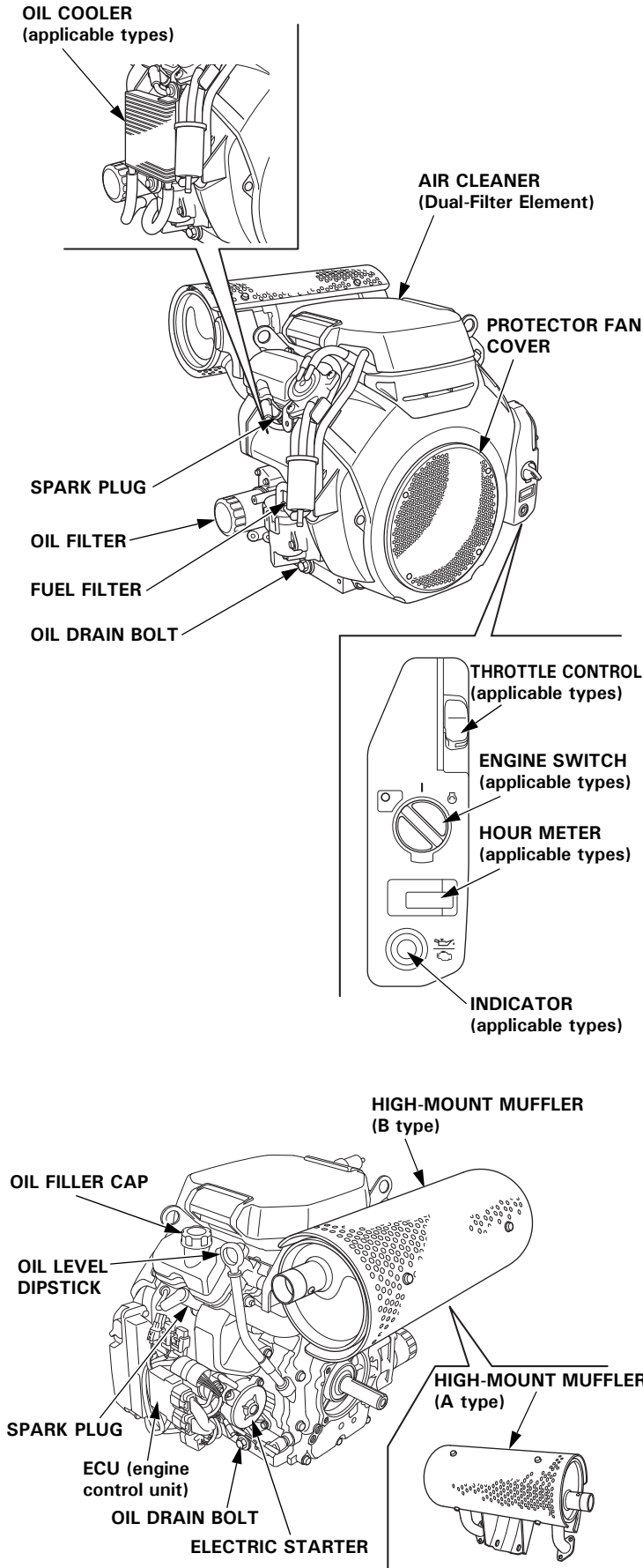


Read Owner's Manual before operation.



Hot muffler can burn you. Stay away if engine has been running.

COMPONENT & CONTROL LOCATION



FEATURES

Oil Alert® System (applicable types)

“Oil Alert is a registered trademark in the United States”

The Oil Alert system is designed to prevent engine damage caused by an insufficient amount of oil in the crankcase. Before the oil level in the crankcase can fall below a safe limit, the indicator (red) comes on and the Oil Alert system will automatically stop the engine (the engine switch will remain in the ON position).

If the engine stops and will not restart, check the engine oil level (see page 8) before troubleshooting in other areas.

FI (fuel injection) System

The FI System system uses fuel injection. It has three subsystems: Air Intake, Engine Control, and Fuel Control. The ECU (engine control unit) uses various sensors to determine how much air is going into the engine. It then controls how much fuel to inject under all operating conditions.

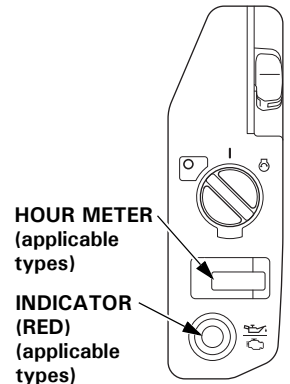
If the indicator blinks (red) only once, the electrical system may have problem on its voltage, please check the voltage of the battery.

If there is no problem on the voltage or if the indicator blinks (red) twice or more, you may have a serious problem with the FI system. Take engine to your servicing dealer.

Hour Meter (applicable types)

After starting the engine, the elapsed time of the engine in use will be count.

It will not count the elapsed time of the engine operation by just turning the engine switch ON.



BEFORE OPERATION CHECKS

IS YOUR ENGINE READY TO GO?

For your safety, to ensure compliance with environmental regulations, and to maximize the service life of your equipment, it is very important to take a few moments before you operate the engine to check its condition. Be sure to take care of any problem you find, or have your servicing dealer correct it, before you operate the engine.

WARNING

Failure to properly maintain this engine, or failing to correct a problem before operation, could result in a significant malfunction.

Some malfunctions can cause serious injuries or death.

Always perform a pre-operation inspection before each operation and correct any problems.

Before beginning your pre-operation checks, be sure the engine is level and the engine switch is in the OFF position.

Always check the following items before you start the engine:

Check the General Condition of the Engine

1. Before each use, look around and underneath the engine for signs of oil or gasoline leaks.
2. Remove any excessive dirt or debris, especially around the muffler.
3. Look for signs of damage.
4. Check that all shields and covers are in place, and all nuts, bolts, and screws are tightened.

Check the Engine

1. Check the fuel level. Starting with a full tank will help to eliminate or reduce operating interruptions for refueling.
2. Check the engine oil level (see page 8). Running the engine with a low oil level can cause engine damage.

The Oil Alert system (applicable types) will automatically stop the engine before the oil level falls below safe limits. However, to avoid the inconvenience of an unexpected shutdown, always check the engine oil level before startup.

3. Check the air filter element (see page 9). A dirty air filter element will restrict air flow to the FI system, reducing engine performance.
4. Check the equipment powered by this engine.

Review the instructions provided with the equipment powered by this engine for any precautions and procedures that should be followed before engine startup.

OPERATION

SAFE OPERATING PRECAUTIONS

Before operating the engine for the first time, please review the *SAFETY INFORMATION* section on page 2 and the *BEFORE OPERATION CHECKS* on page 4.

Carbon Monoxide Hazards

For your safety, do not operate the engine in an enclosed area such as a garage. Your engine's exhaust contains poisonous carbon monoxide gas that can collect rapidly in an enclosed area and cause illness or death.

WARNING

Exhaust contains poisonous carbon monoxide gas that can build up to dangerous levels in closed areas.

Breathing carbon monoxide can cause unconsciousness or death.

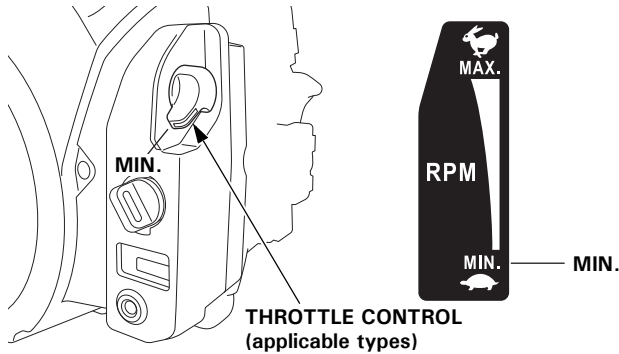
Never run the engine in a closed, or even partly closed area.

Review the instructions provided with the equipment powered by this engine for any safety precautions that should be observed with engine startup, shutdown, or operation.

Do not operate the engine on slopes greater than 20° (36%).

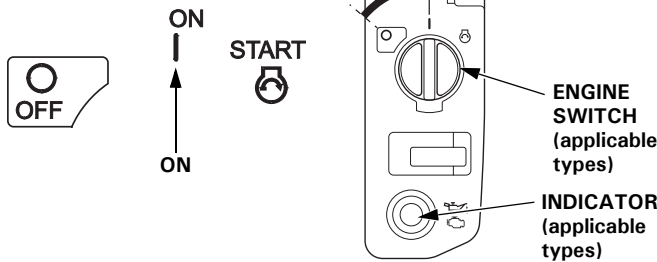
STARTING THE ENGINE

1. If the fuel tank is equipped with a valve, be sure the fuel valve is in the OPEN or ON position before attempting to start the engine.
2. Move the throttle control to the MIN. position.



Some engine applications use a remote-mounted throttle control rather than the engine-mounted throttle control shown here. On the other hand, there are some applications that fix engine speed. Refer to the instructions provided by the equipment manufacturer.

3. Turn the engine switch to the ON position, indicator (red) comes on, and off (lamp check).



4. Operate the starter.

Turn the engine switch to the START position, and hold it there until the engine starts.

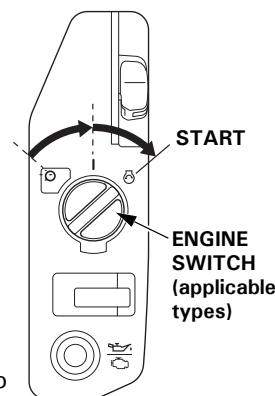
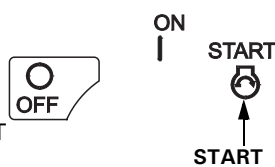
If the engine fails to start within 5 seconds, release the engine switch, and wait at least 10 seconds before operating the starter again.

NOTICE

Using the electric starter for more than 5 seconds at a time will overheat the starter motor and can damage it.

When the engine starts, release the engine switch, allowing it to return to the ON position.

Make sure the indicator is off (see page 3).



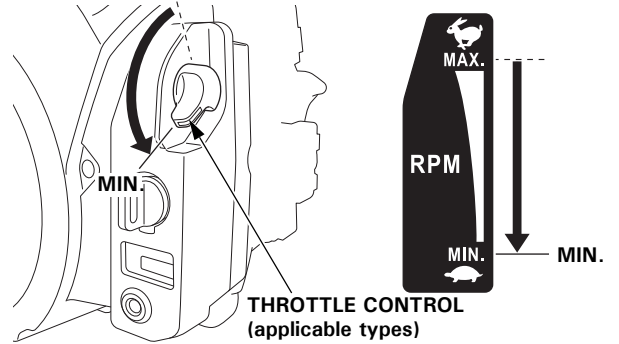
5. Warm up the engine for 2 or 3 minutes.

STOPPING THE ENGINE

To stop the engine in an emergency, simply turn the engine switch to the OFF position. Under normal conditions, use the following procedure. Refer to the instructions provided by the equipment manufacturer.

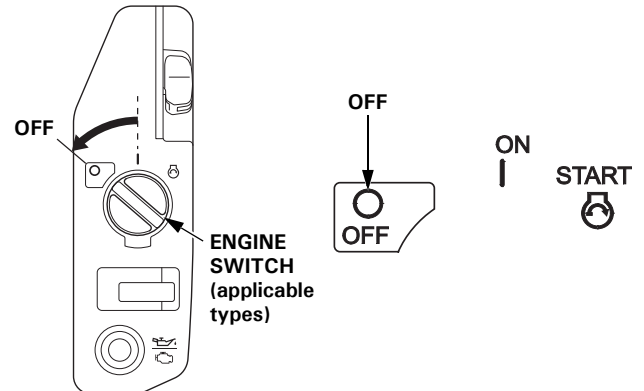
1. Move the throttle control to the MIN. position.

Some engine applications use a remote-mounted throttle control rather than the engine-mounted throttle control shown here. On the other hand, there are some applications that are engine speed is fixed.



2. Turn the engine switch to the OFF position.

Although you may hear operating noise from the motor, it is not a malfunction.



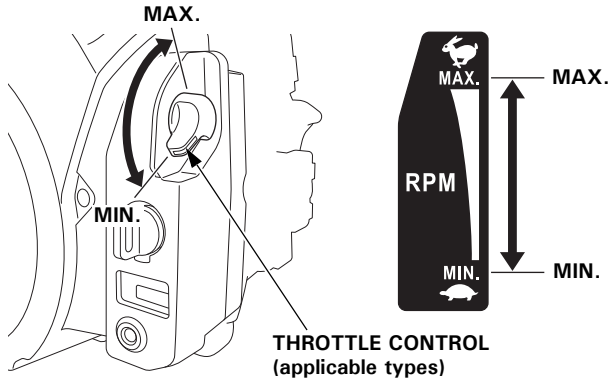
3. If the fuel tank is equipped with a valve, turn the fuel valve to the CLOSED or OFF position.

SETTING ENGINE SPEED

Position the throttle control for the desired engine speed.

Some engine applications use a remote-mounted throttle control rather than the engine-mounted throttle control shown here. On the other hand, there are some applications that are engine speed is fixed. Refer to the instructions provided by the equipment manufacturer.

For engine speed recommendations, refer to the instructions provided with the equipment powered by this engine.



Do not disconnect the battery from the engine while the engine is running. If the battery is disconnected, the engine will stop.

SERVICING YOUR ENGINE

THE IMPORTANCE OF MAINTENANCE

Good maintenance is essential for safe, economical, and trouble-free operation. It will also help reduce pollution.

⚠ WARNING

Failure to properly maintain this engine, or failing to correct a problem before operation, could result in a significant malfunction.

Some malfunctions can cause serious injuries or death.

Always follow the inspection and maintenance recommendations and schedules in this owner's manual.

To help you properly care for your engine, the following pages include a maintenance schedule, routine inspection procedures, and simple maintenance procedures using basic hand tools. Other service tasks that are more difficult, or require special tools, are best handled by professionals and are normally performed by a Honda technician or other qualified mechanic.

The maintenance schedule applies to normal operating conditions. If you operate your engine under severe conditions, such as sustained high-load or high-temperature operation, or use in unusually wet or dusty conditions, consult your servicing dealer for recommendations applicable to your individual needs and use.

Maintenance, replacement, or repair of the emission control devices and systems may be performed by any engine repair establishment or individual, using parts that are "certified" to EPA standards.

MAINTENANCE SAFETY

Some of the most important safety precautions follow. However, we cannot warn you of every conceivable hazard that can arise in performing maintenance. Only you can decide whether or not you should perform a given task.

⚠ WARNING

Improper maintenance can cause an unsafe condition.

Failure to properly follow maintenance instructions and precautions can cause serious injuries or death.

Always follow the procedures and precautions in this owner's manual.

SAFETY PRECAUTIONS

- Make sure the engine is off before you begin any maintenance or repairs. To prevent accidental startup, disconnect the spark plug cap. This will eliminate several potential hazards:
 - **Carbon monoxide poisoning from engine exhaust.**
Operate outside, away from open windows or doors.
 - **Burns from hot parts.**
Let the engine and exhaust system cool before touching.
 - **Injury from moving parts.**
Do not run the engine unless instructed to do so.
- Read the instructions before you begin, and make sure you have the tools and skills required.
- To reduce the possibility of fire or explosion, be careful when working around gasoline. Use only a non-flammable solvent, not gasoline, to clean parts. Keep cigarettes, sparks and flames away from all fuel related parts.

Remember that an authorized Honda servicing dealer knows your engine best and is fully equipped to maintain and repair it.

To ensure the best quality and reliability, use only new Honda Genuine parts or their equivalents for repair and replacement.

MAINTENANCE SCHEDULE

REGULAR SERVICE PERIOD (1) Perform at every indicated month or operating hour interval, whichever comes first.		Each Use	First Month or 20 Hrs	Every 6 Months or 100 Hrs	Every Year or 300 Hrs	Every 2 Years or 500 Hrs	Refer to Page
ITEM							
Engine oil	Check level	o					8
	Change		o	o			8
Engine oil filter	Replace	Every 200 Hrs. (4)					—
Air cleaner	Check	o					9
	Clean			o (2)			9
	Replace					o *	
Oil cooler (applicable types)	Check	o (3)					—
Spark plug	Check-adjust			o			10
	Replace				o		
Spark arrester (applicable types)	Clean			o (5)			10
Valve clearance	Check-adjust				o (4)		—
Combustion chamber	Clean	After every 1000 Hrs. (4)					—
Fuel filter	Replace				o (4)		—
Fuel tube	Check	Every 2 years (Replace if necessary) (4)					—

* Replace the paper filter element only.

- (1) For commercial use, log hours of operation to determine proper maintenance intervals.
- (2) Service more frequently when used in dusty areas.
- (3) If there are deposits of grass, trash, or other debris, clean regularly.
- (4) These items should be serviced by your servicing dealer, unless you have the proper tools and are mechanically proficient. Refer to the Honda shop manual for service procedures.
- (5) In Europe and other countries where the machinery directive 2006/42/EC is enforced, this service should be done by your servicing dealer.

Failure to follow this maintenance schedule could result in non-warrantable failures.

REFUELING

Recommended Fuel

Unleaded gasoline		
U.S.	Pump octane rating 86 or higher	
Except U.S.	Research octane rating 91 or higher	
	Pump octane rating 86 or higher	

This engine is certified to operate on unleaded gasoline with a pump octane rating of 86 or higher (a research octane rating of 91 or higher).

Refuel in a well ventilated area with the engine stopped. If the engine has been running, allow it to cool first. Never refuel the engine inside a building where gasoline fumes may reach flames or sparks.

You may use unleaded gasoline containing no more than 10% ethanol (E10) or 5% methanol by volume. In addition, methanol must contain cosolvents and corrosion inhibitors. Use of fuels with content of ethanol or methanol greater than shown above may cause starting and/or performance problems. It may also damage metal, rubber, and plastic parts of the fuel system. Engine damage or performance problems that result from using a fuel with percentages of ethanol or methanol greater than shown above are not covered under the Warranty.

If your equipment will be used on an infrequent or intermittent basis, please refer to the fuel section of the **STORING YOUR ENGINE** chapter (see page 11) for additional information regarding fuel deterioration.

WARNING

Gasoline is highly flammable and explosive.

You can be burned or seriously injured when handling fuel.

- Stop the engine and let it cool before handling fuel.
- Keep heat, sparks, and flame away.
- Handle fuel only outdoors.
- Keep away from your vehicle.
- Wipe up spills immediately.

NOTICE

Fuel can damage paint and some types of plastic. Be careful not to spill fuel when filling your fuel tank. Damage caused by spilled fuel is not covered under the Distributor's Limited Warranty.

Never use gasoline that is stale, contaminated, or mixed with oil. Avoid getting dirt or water in the fuel tank.

With the engine stopped and on a level surface, remove the fuel filler cap and check the fuel level. Refill the tank if the fuel level is low. Refer to the instructions provided with the equipment powered by this engine for refueling.

Refuel in a well-ventilated area before starting the engine. If the engine has been running, allow it to cool. Refuel carefully to avoid spilling fuel. It may be necessary to lower the fuel level depending on operating conditions. After refueling, tighten the fuel tank cap securely.

Keep gasoline away from appliance pilot lights, barbecues, electric appliances, power tools, etc.

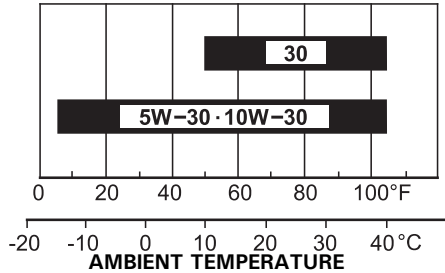
Spilled fuel is not only a fire hazard, it causes environmental damage. Wipe up spills immediately.

ENGINE OIL

Oil is a major factor affecting performance and service life. Use 4-stroke automotive detergent oil.

Recommended Oil

Use 4-stroke motor oil that meets or exceeds the requirements for API service category SJ or later (or equivalent). Always check the API service label on the oil container to be sure it includes the letters SJ or later (or equivalent).

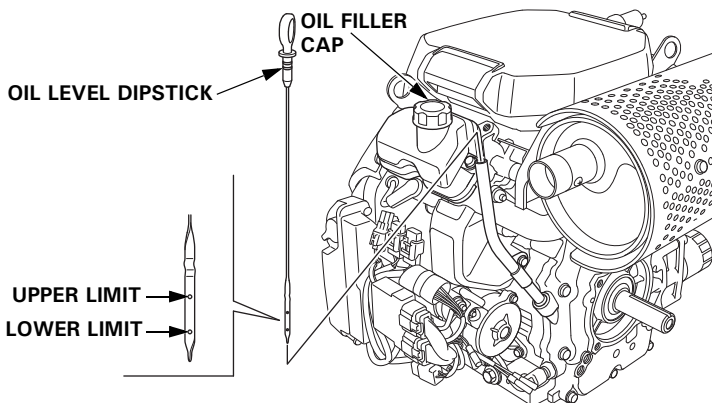


SAE 10W-30 is recommended for general use. Other viscosities shown in the chart may be used when the average temperature in your area is within the indicated range.

Oil Level Check

Check the engine oil level with the engine stopped and in a level position.

1. Start the engine and let it idle for 1 to 2 minutes. Stop the engine and wait for 2 to 3 minutes.
2. Remove the oil level dipstick by pulling it. Wipe the oil level dipstick clean.
3. Fully insert the oil level dipstick, then remove it to check the oil level.
4. If the oil level is near or below the lower limit mark on the dipstick, remove the oil filler cap, and fill with the recommended oil to the upper limit mark. Do not overfill. Refer to "Recommended Oil".
5. Fully insert the oil level dipstick. Reinstall the oil filler cap securely.



NOTICE

Running the engine with a low oil level can cause engine damage. This type of damage is not covered by the Distributor's Limited Warranty.

The Oil Alert system (applicable types) will automatically stop the engine before the oil level falls below the safe limit. However, to avoid the inconvenience of an unexpected shutdown, always check the engine oil level before startup.

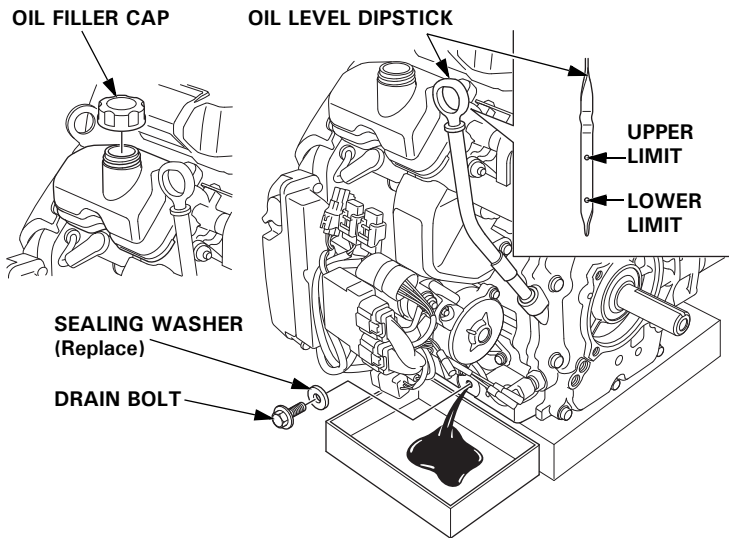
Oil Change

Drain the used oil when the engine is warm. Warm oil drains quickly and completely.

1. Place a suitable container below the engine to catch the used oil, and then remove the oil filler cap, drain bolt, and sealing washer.
2. Allow the used oil to drain completely, then reinstall the drain bolt and new sealing washer, and tighten the drain bolt securely.

TORQUE: 45.0 N·m (4.5 kgf·m, 33 lbf·ft)

Please dispose of used motor oil in a manner that is compatible with the environment. We suggest you take used oil in a sealed container to your local recycling center or service station for reclamation. Do not throw it in the trash, pour it on the ground, or pour it down a drain.



3. With the engine in a level position, fill with the recommended oil to the upper limit mark on the oil level dipstick.

Engine oil capacity:

Without oil filter replacement:

iGX700: 1.5 L (1.6 US qt, 1.3 Imp qt)

iGX800: 1.6 L (1.7 US qt, 1.4 Imp qt)

With oil filter replacement:

iGX700: 1.7 L (1.8 US qt, 1.5 Imp qt)

iGX800: 1.8 L (1.9 US qt, 1.6 Imp qt)

NOTICE

Running the engine with a low oil level can cause engine damage. This type of damage is not covered by the Distributor's Limited Warranty.

The Oil Alert system (applicable types) will automatically stop the engine before the oil level falls below the safe limit. However, to avoid the inconvenience of an unexpected shutdown, fill to the upper limit, and check the oil level regularly.

4. Reinstall the oil filler cap and oil level dipstick securely.

AIR CLEANER

A dirty air cleaner will restrict air flow to the FI system, reducing engine performance. If you operate the engine in very dusty areas, clean the air filter more often than specified in the MAINTENANCE SCHEDULE (see page 7).

NOTICE

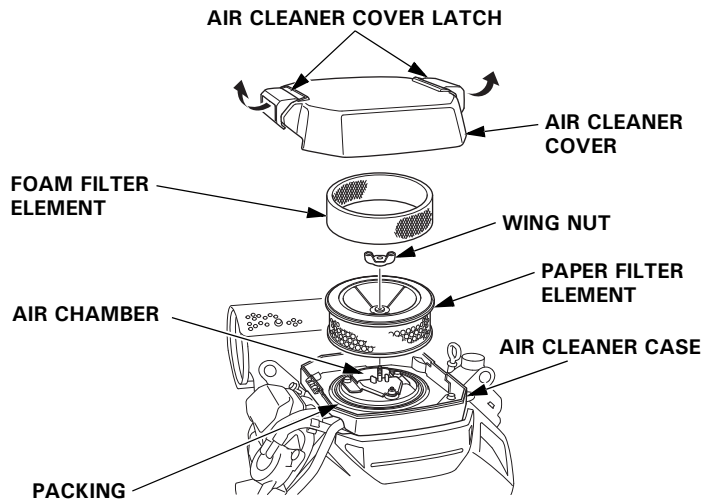
Operating the engine without an air filter, or with a damaged air filter, will allow dirt to enter the engine, causing rapid engine wear. This type of damage is not covered by the Distributor's Limited Warranty.

Inspection

Remove the air cleaner cover and inspect the filter elements. Clean or replace dirty filter elements. Always replace damaged filter elements.

Cleaning

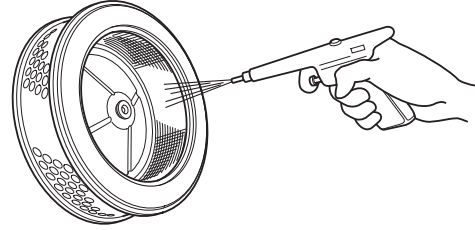
1. Pull the air cleaner cover latch to the unlocked position, and remove the cover.
2. Remove the wing nut from the paper filter element.
3. Remove the paper filter element and foam filter element from the air cleaner case.
4. Remove the foam filter element from the paper filter element.



5. Inspect both filter elements, and replace them if they are damaged. Always replace the paper filter element at the scheduled interval (see page 7).

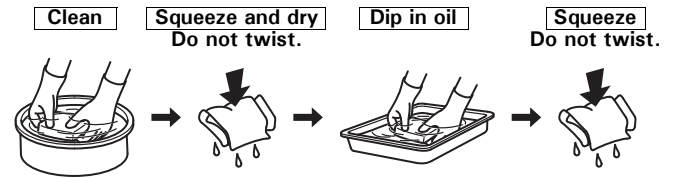
6. Clean the filter elements if they are to be reused.

Paper filter element: Tap the filter element several times on a hard surface to remove dirt, or blow compressed air [not exceeding 207 kPa (2.1 kgf/cm², 30 psi)] through the filter element from the air cleaner case side.



Never try to brush off dirt; brushing will force dirt into the fibers. Replace the paper filter element if it is excessively dirty.

Foam filter element: Clean in warm soapy water, rinse, and allow to dry thoroughly. Or clean in non-flammable solvent and allow to dry. Dip the filter element in clean engine oil, and then squeeze out all excess oil. The engine will smoke when started if too much oil is left in the foam.



7. Wipe dirt from the inside of the air cleaner body and cover, using a moist rag. Be careful to prevent dirt from entering the air chamber that leads to the FI system.
8. Place the foam filter element over the paper filter element, and reinstall the assembled filter element. Be sure the packing is in place beneath the filter element. Tighten the wing nut securely.
9. Lock the air cleaner cover latch securely.

SPARK PLUG

Recommended Spark Plug: BPR5ES (NGK)

The recommended spark plug has the correct heat range for normal engine operating temperatures.

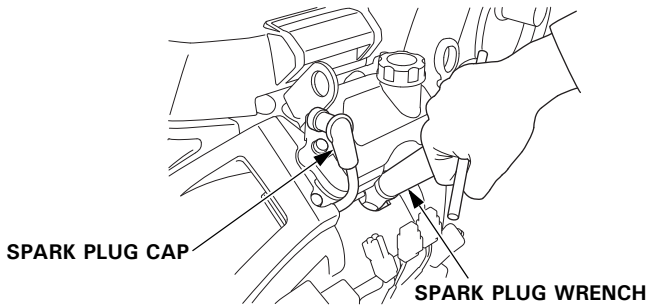
NOTICE

Incorrect spark plugs can cause engine damage.

If the engine has been running, let it cool before servicing the spark plugs.

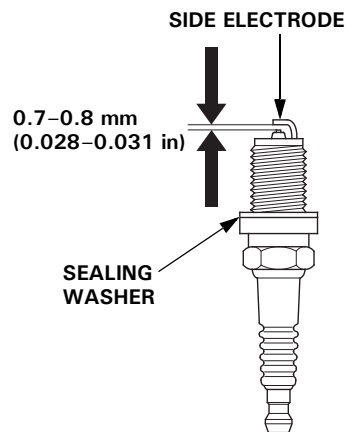
For good performance, the spark plugs must be properly gapped and free of deposits.

1. Disconnect the spark plug caps, and remove any dirt from around the spark plug area.
2. Remove the spark plugs with a 13/16-inch spark plug wrench.



3. Inspect the spark plugs. Replace them if damaged, badly fouled, if the sealing washer is in poor condition, or if the electrode is worn.

4. Measure the spark plug electrode gaps with a wire-type feeler gauge. Correct the gap, if necessary, by carefully bending the side electrode. The gap should be:
0.7–0.8 mm
(0.028–0.031 in)



5. Install the spark plug carefully, by hand, to avoid cross-threading.
6. After the spark plug is seated, tighten with a 13/16-inch spark plug wrench to compress the sealing washer.

When installing a new spark plug, tighten 1/2 turn after the spark plug seats to compress the washer.

When reinstalling a used spark plug, tighten 1/8–1/4 turn after the spark plug seats to compress the washer.

TORQUE: 18.0 N·m (1.8 kgf·m, 13 lbf·ft)

NOTICE

A loose spark plug can overheat and damage the engine. Overtightening the spark plug can damage the threads in the cylinder head.

7. Attach the spark plug caps to the spark plugs.

SPARK ARRESTER (applicable types)

In Europe and other countries where the machinery directive 2006/42/EC is enforced, this cleaning should be done by your servicing dealer.

Your engine is not factory-equipped with a spark arrester. The spark arrester is optional part. In some areas, it is illegal to operate an engine without a spark arrester. Check local laws and regulations. A spark arrester is available from authorized Honda servicing dealers.

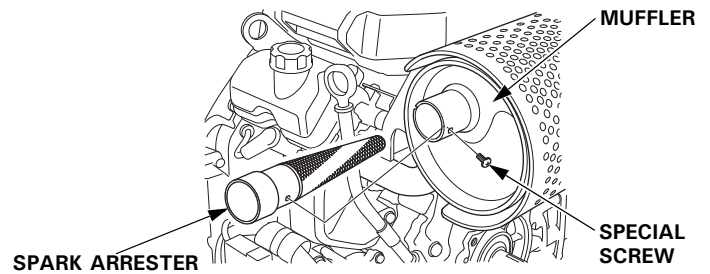
The spark arrester must be serviced every 100 hours to keep it functioning as designed.

If the engine has been running, the muffler will be hot. Allow it to cool before servicing the spark arrester.

Spark Arrester Cleaning & Inspection

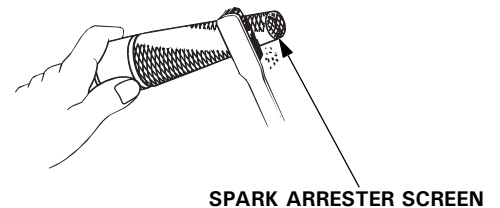
1. Remove the spark arrester:

Remove the special screw from the muffler and remove the spark arrester.



2. Use a brush to remove carbon deposits from the spark arrester screen. Be careful to avoid damaging the screen.

The spark arrester must be free of breaks and holes. Replace the spark arrester if it is damaged.



3. Install the spark arrester and muffler protector in the reverse order of disassembly.

HELPFUL TIPS & SUGGESTIONS

STORING YOUR ENGINE

Storage Preparation

Proper storage preparation is essential for keeping your engine trouble-free and looking good. The following steps will help to keep rust and corrosion from impairing your engine's function and appearance, and will make the engine easier to start when you use it again.

Cleaning

If the engine has been running, allow it to cool for at least half an hour before cleaning. Clean all exterior surfaces, touch up any damaged paint, and coat other areas that may rust with a light film of oil.

NOTICE

Using a garden hose or pressure washing equipment can force water into the air cleaner or muffler opening. Water in the air cleaner will soak the air filter, and water that passes through the air filter or muffler can enter the cylinder, causing damage.

Fuel

NOTICE

Depending on the region where you operate your equipment, fuel formulations may deteriorate and oxidize rapidly. Fuel deterioration and oxidation can occur in as little as 30 days and may cause damage to the FI system. Please check with your servicing dealer for local storage recommendations.

Gasoline will oxidize and deteriorate in storage. Deteriorated gasoline will cause hard starting, and it leaves gum deposits that clog the FI system. If the gasoline in your engine deteriorates during storage, you may need to have the FI system components serviced or replaced.

The length of time that gasoline can be left in your fuel tank without causing functional problems will vary with such factors as gasoline blend, your storage temperatures, and whether the fuel tank is partially or completely filled. The air in a partially filled fuel tank promotes fuel deterioration. Very warm storage temperatures accelerate fuel deterioration. Fuel deterioration problems may occur within a few months, or even less if the gasoline was not fresh when you filled the fuel tank.

FI system damage or engine performance problems resulting from neglected storage preparation are not covered under the *Distributor's Limited Warranty*.

You can extend fuel storage life by adding a gasoline stabilizer that is formulated for that purpose, or you can avoid fuel deterioration problems by draining the fuel tank.

Adding a Gasoline Stabilizer to Extend Fuel Storage Life

When adding a gasoline stabilizer, fill the fuel tank with fresh gasoline. If only partially filled, air in the tank will promote fuel deterioration during storage. If you keep a container of gasoline for refueling, be sure that it contains only fresh gasoline.

1. Add gasoline stabilizer following the manufacturer's instructions.
2. After adding a gasoline stabilizer, run the engine outdoors.
3. Stop the engine, and if the fuel tank is equipped with a fuel valve, move the fuel valve to the CLOSED or OFF position.

Draining the Fuel Tank

⚠ WARNING

Gasoline is highly flammable and explosive.

You can be burned or seriously injured when handling fuel.

- Stop the engine and let it cool before handling fuel.
- Keep heat, sparks, and flame away.
- Handle fuel only outdoors.
- Keep away from your vehicle.
- Wipe up spills immediately.

1. Disconnect the fuel line to the engine, and drain the fuel tank into an approved gasoline container. If the fuel tank is equipped with a valve, turn the fuel valve to the OPEN or ON position to enable draining. After draining is completed, reconnect the fuel line.
2. To drain the FI system completely, start the engine (see page 5) and allow the engine to run until it stops.
3. When the engine stops, turn the engine switch to the OFF position.

Leaving the engine switch at the ON position will drain the battery.
4. If the fuel tank is equipped with a valve, turn the fuel valve to the CLOSED or OFF position.

Engine Oil

1. Change the engine oil (see page 8).
2. Remove the spark plugs (see page 10).
3. Pour 5–10 cm³ (5–10 cc, 1–2 teaspoons) of clean engine oil into each cylinder.
4. Turn the engine for a few seconds by turning the engine switch to the START position to distribute the oil in the cylinders.
5. Reinstall the spark plugs.

Storage Precautions

If your engine will be stored with gasoline in the fuel tank, it is important to reduce the hazard of gasoline vapor ignition. Select a well ventilated storage area away from any appliance that operates with a flame, such as a furnace, water heater, or clothes dryer. Also avoid any area with a spark-producing electric motor, or where power tools are operated.

If possible, avoid storage areas with high humidity, because that promotes rust and corrosion.

Keep the engine level in storage. Tilting can cause fuel or oil leakage.

Unless all fuel has been drained from the fuel tank, leave the fuel valve in the CLOSED or OFF position to reduce the possibility of fuel leakage.

With the engine and exhaust system cool, cover the engine to keep out dust. A hot engine and exhaust system can ignite or melt some materials. Do not use a plastic sheet as a dust cover. A nonporous cover will trap moisture around the engine, promoting rust and corrosion.

If installed, remove the battery and store it in a cool, dry place. Recharge the battery once a month while the engine is in storage. This will help to extend the service life of the battery.

Removal from Storage

Check your engine as described in the *BEFORE OPERATION CHECKS* section of this manual (see page 4).

If the fuel was drained during storage preparation, fill the tank with fresh gasoline. If you keep a container of gasoline for refueling, be sure it contains only fresh gasoline. Gasoline oxidizes and deteriorates over time, causing hard starting.

If the cylinders were coated with oil during storage preparation, the engine may smoke briefly at startup. This is normal.

TRANSPORTING

If the engine has been running, allow it to cool for at least 15 minutes before loading the engine-powered equipment on the transport vehicle. A hot engine and exhaust system can burn you and can ignite some materials.

Keep the engine level when transporting to reduce the possibility of fuel leakage. If the fuel tank is equipped with a fuel valve, move the fuel valve lever to the CLOSED or OFF position.

TAKING CARE OF UNEXPECTED PROBLEMS

ENGINE WILL NOT START

Possible Cause	Correction
Battery discharged.	Recharge battery.
Fuse burnt out.	Replace fuse.
Fuel valve CLOSED or OFF. (If equipped)	Move lever to OPEN or ON position.
Engine switch OFF.	Turn engine switch to ON position (p. 5).
Engine oil level low (Oil Alert stops engine).	Fill with the recommended oil to the proper level (p. 8).
Out of fuel.	Refuel (p. 7).
Stale fuel; engine stored without treating or draining gasoline, or refueled with stale gasoline.	Drain fuel tank (p. 11). Refuel with fresh gasoline (p. 7).
Spark plugs faulty, fouled, or improperly gapped.	Gap, or replace spark plugs (p. 10).
Spark plugs wet with fuel (flooded engine).	Dry and reinstall spark plugs (p. 10).
Fuel filter restricted, FI system malfunction, ignition malfunction, valves stuck, etc.	Take engine to your servicing dealer, or refer to shop manual.

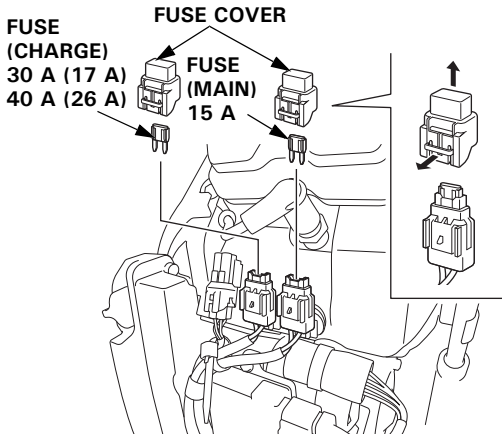
ENGINE LACKS POWER

Possible Cause	Correction
Filter element(s) restricted.	Clean or replace filter element(s) (p. 9).
Stale fuel; engine stored without treating or draining gasoline, or refueled with stale gasoline.	Drain fuel tank (p. 11). Refuel with fresh gasoline (p. 7).
Fuel filter restricted, FI system malfunction, ignition malfunction, valves stuck, etc.	Take engine to your servicing dealer, or refer to shop manual.

FUSE REPLACEMENT

The electric system circuit system is protected by a fuse. If the fuse burns out, the electric system will not operate.

1. Remove the fuse cover, and inspect the fuse.



If the fuse is burnt out, pull out and discard the burnt-out fuse. Install a new fuse.

NOTICE

Never use a fuse with a different rating from that specified. Serious damage to the electrical system or a fire could result.

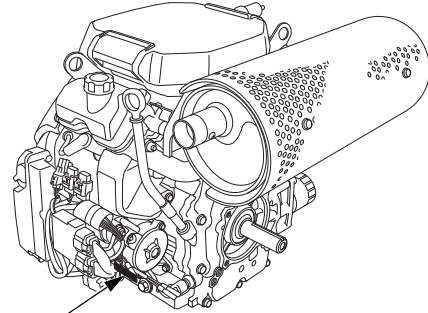
2. Reinstall the fuse cover.

Fuse failure usually indicates a short circuit or an overload in the electrical system. If the fuse burns out, take the engine to your servicing dealer for repair.

TECHNICAL INFORMATION

Serial Number Location

Record the engine serial number, type and purchase date in the spaces below. You will need this information when ordering parts and when making technical or warranty inquiries.



SERIAL NUMBER & ENGINE TYPE LOCATION

Engine serial number: _____

Engine type: _____

Date Purchased: ____ / ____ / ____

Battery Connections for Electric Starter

Recommended Battery: 55B24 (12 V-36 Ah)

Be careful not to connect the battery in reverse polarity, as this will short circuit the electrical system. Always connect the positive (+) battery cable to the battery terminal before connecting the negative (-) battery cable, so your tools cannot cause a short circuit if they touch a grounded part while tightening the positive (+) battery cable end.

Make sure to keep the battery cable away from the ECU (engine control unit).

⚠ WARNING

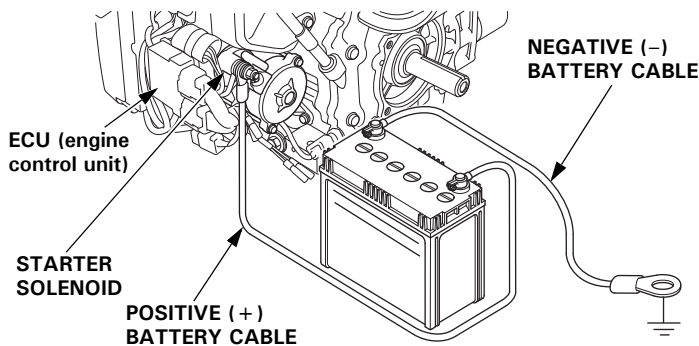
A battery can explode if you do not follow the correct procedure, seriously injuring anyone nearby.

Keep all sparks, open flames, and smoking materials away from the battery.

WARNING: Battery posts, terminals, and related accessories contain lead and lead compounds. **Wash your hands after handling.**

Make sure the engine switch to the OFF position (see page 5).

1. Connect the battery positive (+) cable to the starter solenoid terminal as shown.
2. Connect the battery negative (-) cable to an engine mounting bolt, frame bolt, or other good engine ground connection.
3. Connect the battery positive (+) cable to the battery positive (+) terminal as shown.
4. Connect the battery negative (-) cable to the battery negative (-) terminal as shown.
5. Coat the terminals and cable ends with grease.



⚠ WARNING

The battery contains sulfuric acid (electrolyte), which is highly corrosive and poisonous.

Getting electrolyte in your eyes or on your skin can cause serious burns.

Wear protective clothing and eye protection when working near the battery.

KEEP CHILDREN AWAY FROM THE BATTERY.

Emission Control System Information

Emission Control System Warranty

Your new Honda complies with both the U.S. EPA and State of California emission regulations. American Honda provides the same emission warranty coverage for Honda Power Equipment engines sold in all 50 states. In all areas of the United States, your Honda Power Equipment engine is designed, built, and equipped to meet the U.S. EPA and California Air Resources Board emission standard for spark ignited engines.

Warranty Coverage

Honda Power Equipment engines certified to CARB and U.S. EPA regulations are covered by this warranty to be free from defects in materials and workmanship that may keep it from meeting the applicable U.S. EPA and CARB emissions requirements for a minimum of 2 years or the length of the *Honda Power Equipment Distributor's Limited Warranty*, whichever is longer, from the original date of delivery to the retail purchaser. This warranty is transferable to each subsequent purchaser for the duration of the warranty period.

Warranty repairs will be made without charge for diagnosis, parts, and labor. Information about how to make a warranty claim, as well as a description of how a claim can be made and/or how service can be provided, can be obtained by contacting an authorized Honda Power Equipment dealer or by contacting American Honda at the following:

Email: powerequipmentemissions@ahm.honda.com

Telephone: (888) 888-3139

The covered components include all components whose failure would increase an engine's emissions of any regulated pollutant or evaporative emissions. A list of specific components can be found in the separately included emissions warranty statement.

Specific warranty terms, coverage, limitations and manner of seeking warranty service are also set forth in the separately included emissions warranty statement. In addition, the emissions warranty statement can also be found on the Honda Power equipment website or at the following link:

<http://powerequipment.honda.com/support/warranty>

Source of Emissions

The combustion process produces carbon monoxide, oxides of nitrogen, and hydrocarbons. Control of hydrocarbons and oxides of nitrogen are very important because, under certain conditions, they react to form photochemical smog when subjected to sunlight.

Carbon monoxide does not react in the same way, but it is toxic.

Honda utilizes appropriate air/fuel ratios and other emissions control systems to reduce the emissions of carbon monoxide, oxides of nitrogen, and hydrocarbons.

Additionally, Honda fuel systems utilize components and control technologies to reduce evaporative emissions.

The U.S. and California Clean Air Acts, and Environment and Climate Change Canada (ECCC)

U.S. EPA, California and Canadian regulations require all manufacturers to furnish written instructions describing the operation and maintenance of emission control systems.

The following instructions and procedures must be followed in order to keep the Honda engine emissions within the emission standards.

Tampering and Altering

NOTICE

Tampering is a violation of federal and California law.

Tampering with or altering the emission control system may increase emissions beyond the legal limit. Among those acts that constitute tampering are:

- Removal or alteration of any part of the intake, fuel, or exhaust systems.
- Altering or defeating the governor linkage or speed-adjusting mechanism to cause the engine to operate outside its design parameters.

Problems That May Affect Emissions

If you are aware of any of the following symptoms, have your engine inspected and repaired by your servicing dealer.

- Hard starting or stalling after starting.
- Rough idle.
- Misfiring or backfiring under load.
- Afterburning (backfiring).
- Black exhaust smoke or high fuel consumption.

Replacement Parts

The emissions control systems on your new Honda engine were designed, built, and certified to conform with U.S. EPA, California, and Canadian emissions regulations. We recommend the use of Honda Genuine parts whenever you have maintenance done. These original-design replacement parts are manufactured to the same standards as the original parts, so you can be confident of their performance. Honda cannot deny coverage under the emission warranty solely for the use of non-Honda replacement parts or service performed at a location other than an authorized Honda dealership; you may use comparable U.S. EPA certified parts, and have service performed at non-Honda locations. However, the use of replacement parts that are not of the original design and quality may impair the effectiveness of your emissions control system.

A manufacturer of an aftermarket part assumes the responsibility that the part will not adversely affect emissions performance. The manufacturer or rebuilder of the part must certify that use of the part will not result in a failure of the engine to comply with emissions regulations.

Maintenance

As the power equipment engine owner, you are responsible for completing all required maintenance listed in your owner's manual. Honda recommends that you retain all receipts covering maintenance on your power equipment engine, but Honda cannot deny warranty coverage solely for the lack of receipts or for your failure to ensure that all scheduled maintenance has been completed.

Follow the MAINTENANCE SCHEDULE on page 7. Remember that this schedule is based on the assumption that your engine will be used for its designed purpose. Sustained high-load or high-temperature operation, or use in dusty conditions, will require more frequent service.

Air Index

(Models certified for sale in California)

An Air Index Information label is applied to engines certified to an emission durability time period in accordance with the requirements of the California Air Resources Board.

The bar graph is intended to provide you, our customer, the ability to compare the emissions performance of available engines. The lower the Air Index, the less pollution.

The durability description is intended to provide you with information relating to the engine's emission durability period. The descriptive term indicates the useful life period for the engine's emission control system. See your *Emission Control System Warranty* for additional information.

Descriptive Term	Applicable to Emissions Durability Period
Moderate	50 hours (0–80 cc, inclusive) 125 hours (greater than 80 cc)
Intermediate	125 hours (0–80 cc, inclusive) 250 hours (greater than 80 cc)
Extended	300 hours (0–80 cc, inclusive) 500 hours (greater than 80 cc) 1,000 hours (225 cc and greater)

The Air Index Information hang tag/label must remain on the engine until it is sold. Remove the hang tag before operating the engine.

Specifications

iGX700 (TXA2 Type)

Length × Width × Height	429 × 483 × 438 mm (16.9 × 19.0 × 17.2 in)
Dry mass [weight]	47.1 kg (103.8 lbs)
Engine type	4-stroke, overhead valve, 2 cylinders (90° V-Twin)
Displacement [Bore × Stroke]	688.0 cm ³ (41.97 cu-in) [78.0 × 72.0 mm (3.07 × 2.83 in)]
Net power (in accordance with SAE J1349*)	16.5 kW (22.4 PS, 22.1 bhp) at 3,600 min ⁻¹ (rpm)
Max. Net torque (in accordance with SAE J1349*)	48.3 N·m (4.93 kgf·m, 35.6 lbf·ft) at 2,500 min ⁻¹ (rpm)
Engine oil capacity	Without oil filter replacement: 1.5 L (1.6 US qt, 1.3 Imp qt) With oil filter replacement: 1.7 L (1.8 US qt, 1.5 Imp qt)
Cooling system	Forced air
Ignition system	Full transistorized ignition
PTO shaft rotation	Counterclockwise (from PTO end)

iGX800 (TXA2 Type)

Length × Width × Height	429 × 492 × 438 mm (16.9 × 19.4 × 17.2 in)
Dry mass [weight]	46.9 kg (103.4 lbs)
Engine type	4-stroke, overhead valve, 2 cylinders (90° V-Twin)
Displacement [Bore × Stroke]	779.0 cm ³ (47.52 cu-in) [83.0 × 72.0 mm (3.27 × 2.83 in)]
Net power (in accordance with SAE J1349*)	18.6 kW (25.3 PS, 24.9 bhp) at 3,600 min ⁻¹ (rpm)
Max. Net torque (in accordance with SAE J1349*)	54.5 N·m (5.56 kgf·m, 40.2 lbf·ft) at 2,500 min ⁻¹ (rpm)
Engine oil capacity	Without oil filter replacement: 1.6 L (1.7 US qt, 1.4 Imp qt) With oil filter replacement: 1.8 L (1.9 US qt, 1.6 Imp qt)
Cooling system	Forced air
Ignition system	Full transistorized ignition
PTO shaft rotation	Counterclockwise (from PTO end)

* The power rating of the engine indicated in this document is the net power output tested on a production engine for the engine model and measured in accordance with SAE J1349 at 3,600 min⁻¹(rpm) (Net Power) and at 2,500 min⁻¹(rpm) (Max. Net Torque).

Mass production engines may vary from this value. Actual power output for the engine installed in the final machine will vary depending on numerous factors, including the operating speed of the engine in application, environmental conditions, maintenance, and other variables.

Tuneup Specifications

ITEM	SPECIFICATION	MAINTENANCE
Spark plug gap	0.7–0.8 mm (0.028–0.031 in)	Refer to page 10
Valve clearance (cold)	IN: 0.20 ± 0.02 mm EX: 0.20 ± 0.02 mm	See your servicing dealer
Other specifications	No other adjustments needed.	

Quick Reference Information

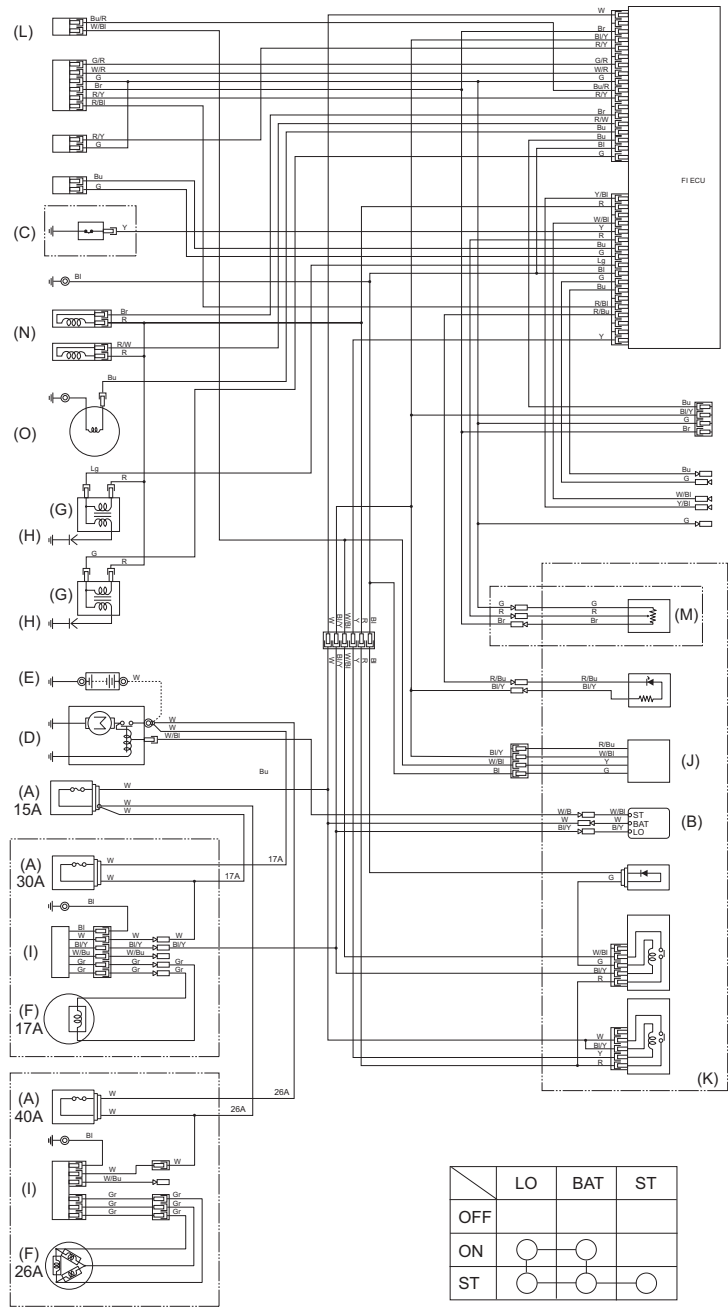
Fuel	Unleaded gasoline (Refer to page 7).	
	U.S.	Pump octane rating 86 or higher
	Except U.S.	Research octane rating 91 or higher Pump octane rating 86 or higher
Engine oil	SAE 10W-30, API SJ or later, for general use. Refer to page 8.	
Spark plug	BPR5ES (NGK)	
Maintenance	Before each use: • Check engine oil level. Refer to page 8. • Check air filter. Refer to page 9.	
	First 20 hours: Change engine oil. Refer to page 8.	
	Subsequent: Refer to the maintenance schedule on page 7.	

Wiring Diagrams

- (A) FUSE
- (B) ENGINE SWITCH
- (C) OIL LEVEL SWITCH
- (D) STARTER MOTOR
- (E) BATTERY
- (F) CHARGE COIL
- (G) IGNITION COIL
- (H) SPARK PLUG
- (I) REGULATOR RECTIFIER
- (J) HOUR METER
- (K) CONTROL BOX
- (L) FUEL PUMP
- (M) THROTTLE CONTROL
- (N) INJECTION
- (O) PULSER COIL

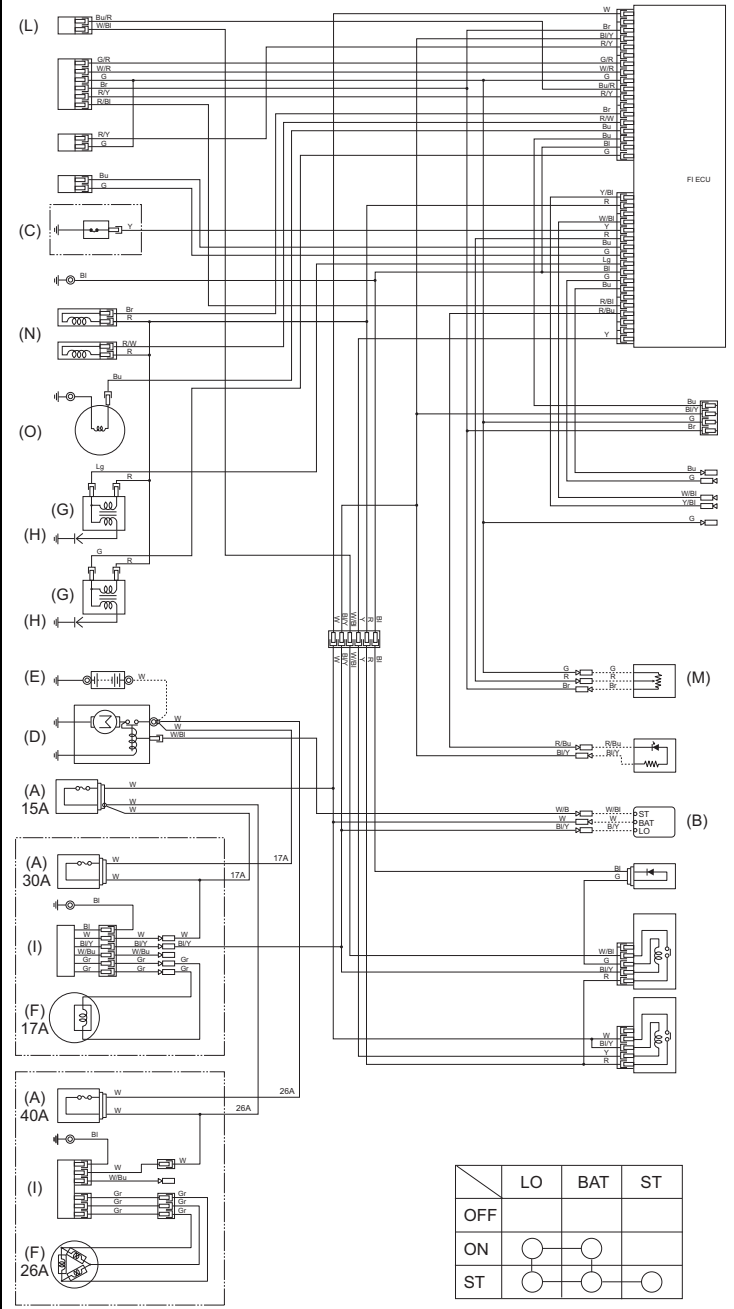
- Bl Black
- Br Brown
- Bu Blue
- G Green
- Gr Gray
- Lb Light blue
- Lg Light green
- O Orange
- P Pink
- R Red
- W White
- Y Yellow

With Control Box Type



	LO	BAT	ST
OFF			
ON	○	○	
ST	○	○	○

Without Control Box Type



	LO	BAT	ST
OFF			
ON	○	○	
ST	○	○	○

CONSUMER INFORMATION

Warranty and Distributor/Dealer Locator Information

United States, Puerto Rico, and U.S. Virgin Islands:
Visit our website: www.honda-engines.com

Canada:

Call (888) 9HONDA9
or visit our website: www.honda.ca

For European Area:

Visit our website: <http://www.honda-engines-eu.com>

Customer Service Information

Servicing dealership personnel are trained professionals. They should be able to answer any question you may have. If you encounter a problem that your dealer does not solve to your satisfaction, please discuss it with the dealership's management. The Service Manager, General Manager, or Owner can help. Almost all problems are solved in this way.

United States, Puerto Rico, and U.S. Virgin Islands:

If you are dissatisfied with the decision made by the dealership's management, contact the Honda Regional Engine Distributor for your area.

If you are still dissatisfied after speaking with the Regional Engine Distributor, you may contact the Honda Office as shown.

All Other Areas:

If you are dissatisfied with the decision made by the dealership's management, contact the Honda Office as shown.

«Honda's Office»

When you write or call, please provide this information:

- Equipment manufacturer's name and model number that the engine is mounted on
- Engine model, serial number, and type (see page 13)
- Name of dealer who sold the engine to you
- Name, address, and contact person of the dealer who services your engine
- Date of purchase
- Your name, address and telephone number
- A detailed description of the problem

United States, Puerto Rico, and U.S. Virgin Islands:

American Honda Motor Co., Inc.

Power Equipment Division
Customer Relations Office
4900 Marconi Drive
Alpharetta, GA 30005-8847

Or telephone: (770) 497-6400, 8:30 am - 7:00 pm ET

Canada:

Honda Canada, Inc.

Please visit www.honda.ca
for address information

Telephone: (888) 9HONDA9 Toll free
(888) 946-6329

Facsimile: (877) 939-0909 Toll free

For European Area:

Honda Motor Europe Logistics NV.

European Engine Center

<http://www.honda-engines-eu.com>

All Other Areas:

Please contact the Honda distributor in your area for assistance.

Honda General Purpose Engine International Warranty

The Honda General Purpose Engine installed on this brand product is covered by a Honda General Purpose Engine Warranty, on the following assumptions.

- The warranty conditions conform to those for the general purpose engine established by Honda for each country.
- The warranty conditions apply to engine failures caused by any manufacturing or specification problem.
- The warranty does not apply to countries where there is no Honda distributor.

To obtain warranty service:

You must take your Honda general purpose engine, or the equipment in which it is installed, together with proof of original retail purchase date to a Honda engine dealer authorized to sell that product in your country or the dealer who you purchased your product from. To locate a Honda distributor/dealer near you or check warranty condition in your country, visit our global service information website <https://www.hppsv.com/ENG/> or contact distributor in your country.

Exclusions:

This engine warranty does not include the following:

1. Any damage or deterioration resulting from the following:
 - Neglect of the periodic maintenance as specified in the engine owner's manual
 - Improper repair or maintenance
 - Operating methods other than those indicated in the engine owner's manual
 - Damage caused by the product on which the engine is installed
 - Damage caused by conversion to, or use of, fuel other than the fuel(s) that the engine was originally manufactured to use, as set forth in the engine owner's manual and/or warranty booklet
 - The use of non-genuine Honda parts and accessories, other than those approved by Honda (other than recommended lubricants and fluids) (does not apply to the emissions warranty unless non-genuine part used is not comparable to Honda part and was cause of the failure)
 - Exposure of the product to soot and smoke, chemical agents, bird droppings, sea water, sea breeze, salt or other environmental phenomena
 - Collision, fuel contamination or deterioration, neglect, unauthorized alteration, or misuse
 - Natural wear and tear (natural fading of painted or plated surfaces, sheet peeling and other natural deterioration)
2. Consumable parts: Honda does not warrant parts deterioration due to normal wear and tear. The parts listed below are not covered by warranty (unless they are needed as a part of another warranty repair):
 - Spark plug, fuel filter, air cleaner element, clutch disc, recoil starter rope
 - Lubricant: oil and grease
3. Cleaning, adjustment, and normal periodic maintenance work (carburetor cleaning and engine oil draining).
4. Use of the Honda general purpose engine for racing or competition.
5. Any engine that is part of a product that has ever been declared a total loss or sold for salvage by a financial institution or insurer.

About SERVICE & SUPPORT Label

There may be the SERVICE & SUPPORT label* affixed to the Honda General Purpose Engine. As you visit our website by scanning this two-dimensional barcode (QR code), you will find service information.
* This label is not affixed to all models.



https://www.hondappsv.com/ENG/QR/GX700_800/

—MEMO—

HONDA

INTRODUCTION

Nous vous remercions d'avoir porté votre choix sur un moteur Honda! Nous désirons vous aider à faire le meilleur usage de votre nouveau moteur et à l'utiliser en sécurité. Vous trouverez dans ce manuel des informations sur la manière d'y parvenir ; veuillez le lire attentivement avant d'utiliser le moteur. En cas de problème ou pour toute question sur le moteur, consultez un concessionnaire Honda agréé.

Toutes les informations de cette publication sont basées sur les dernières informations sur le produit disponibles au moment de l'impression. Honda Motor Co., Ltd. se réserve le droit d'apporter des modifications à tout moment sans avertissement et sans obligation de sa part. Aucune partie de ce document ne peut être reproduite sans autorisation écrite.

Ce manuel doit être considéré comme faisant partie du moteur et doit l'accompagner en cas de revente.


Pour de plus amples informations sur le démarrage, l'arrêt, l'utilisation et les réglages du moteur ou pour des instructions sur tout entretien spécial, consultez les instructions accompagnant l'équipement commandé par ce moteur.

Etats-Unis, Porto Rico et Iles Vierges américaines :

Nous vous suggérons de lire le bulletin de garantie afin de bien comprendre ce que la garantie couvre et vos responsabilités en tant que propriétaire. Le bulletin de garantie est un document séparé que vous avez dû en principe recevoir de votre concessionnaire.

MESSAGES DE SECURITE

Votre sécurité et celle des autres sont essentielles. Vous trouverez des messages de sécurité importants dans ce manuel et sur le moteur. Veuillez les lire attentivement.

Les messages de sécurité vous avertissent de risques potentiels de blessures pour vous et les autres. Chaque message de sécurité est précédé d'un symbole de mise en garde  et de l'une des trois mentions DANGER, ATTENTION ou PRECAUTION.

Ces termes signifient :

DANGER

Le non-respect de ces instructions ENTRAÎNERA des BLESSURES GRAVES, voire MORTELLES.

ATTENTION

Le non-respect de ces instructions est SUSCEPTIBLE d'entraîner des BLESSURES GRAVES, voire MORTELLES.

PRECAUTION

Le non-respect de ces instructions est SUSCEPTIBLE d'entraîner des BLESSURES.

Chaque message vous indique quel est le danger, ce qui peut arriver et ce que vous pouvez faire pour éviter ou réduire les blessures.

MESSAGES DE PREVENTION DES DOMMAGES

D'autres messages importants sont précédés du mot REMARQUE.

Cette mention signifie :

REMARQUE

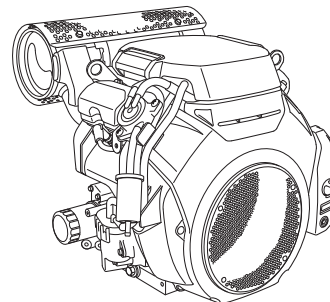
Votre moteur, d'autres biens ou l'environnement peuvent être endommagés si vous ne suivez pas ces instructions.

L'ensemble de ce manuel contient des informations de sécurité importantes, lisez-le attentivement.

HONDA

MANUEL DE L'UTILISATEUR

iGX700 • iGX800



ATTENTION :



L'échappement du moteur contient des substances chimiques déclarées responsables de cancers, de malformations congénitales ou d'autres anomalies de la reproduction par l'Etat de Californie.

SOMMAIRE

INTRODUCTION.....	1	BOUGIE.....	10
MESSAGES DE SECURITE.....	1	PARE-ETINCELLES.....	10
INFORMATIONS DE SECURITE... 2		CONSEILS ET SUGGESTIONS UTILES.....	11
EMPLACEMENT DE L'ETIQUETTE DE SECURITE.....	2	REMISAGE DU MOTEUR ...	11
EMPLACEMENT DES COMPOSANTS ET COMMANDES	3	TRANSPORT	12
PARTICULARITES	3	EN CAS DE PROBLEME INATTENDU.....	12
CONTROLES AVANT L'UTILISATION	4	REPLACEMENT DU FUSIBLE	13
UTILISATION	4	INFORMATIONS TECHNIQUES.....	13
CONSIGNES DE SECURITE D'UTILISATION.....	4	Emplacement du numéro de série	13
DEMARRAGE DU MOTEUR... 5		Raccordements de la batterie pour le démarreur électrique	14
ARRET DU MOTEUR.....	5	Informations sur le système antipollution	14
REGLAGE DU REGIME MOTEUR	6	Indice atmosphérique	15
ENTRETIEN DU MOTEUR	6	Spécifications	16
L'IMPORTANCE DE L'ENTRETIEN	6	Caractéristiques de mise au point	16
SECURITE D'ENTRETIEN	6	Informations de référence rapide	16
CONSIGNES DE SECURITE... 7		Schémas de câblage	17
PROGRAMME D'ENTRETIEN... 7		INFORMATIONS DU CONSOMMATEUR.....	18
PLEIN DE CARBURANT	7	Garantie et informations de localisation de distributeur/concessionnaire.....	18
Carburant recommandé.....	7	Informations de service à la clientèle	18
HUILE MOTEUR	8		
Huile recommandée	8		
Vérification du niveau d'huile	8		
Renouvellement d'huile	8		
FILTRE A AIR.....	9		
Contrôle.....	9		
Nettoyage	9		

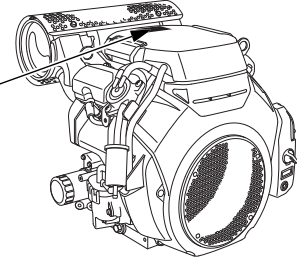
INFORMATIONS DE SECURITE

- Comprenez bien le fonctionnement de toutes les commandes et apprenez comment arrêter le moteur rapidement en cas d'urgence. Veillez à ce que l'opérateur reçoive des instructions adéquates avant l'utilisation de l'équipement.
- Ne pas autoriser des enfants à utiliser le moteur. Eloigner les enfants et les animaux de la zone d'utilisation.
- Les gaz d'échappement du moteur contiennent du monoxyde de carbone toxique.
Ne pas faire tourner le moteur sans une aération adéquate et ne jamais l'utiliser à l'intérieur.
- Le moteur et les gaz d'échappement deviennent très chauds pendant le fonctionnement.
Garder le moteur à au moins 1 mètre des bâtiments et des autres équipements pendant l'utilisation. Ne pas approcher de matières inflammables et ne rien placer sur le moteur pendant son fonctionnement.

EMPLACEMENT DE L'ETIQUETTE DE SECURITE

Cette étiquette met en garde contre les risques potentiels de blessures graves. Lire attentivement son contenu. Si l'étiquette se décolle ou devient illisible, s'adresser au concessionnaire réparateur pour son remplacement.

ETIQUETTE DE MISE EN GARDE



ETIQUETTE DE MISE EN GARDE	Pour l'UE	Excepté l'UE
	apposée sur le produit	fournie avec le produit
<p>⚠ WARNING Gasoline is highly flammable and explosive. Turn engine off and let cool before refueling. The engine emits toxic carbon monoxide. Do not run in an enclosed area. Read Owner's Manual before operation.</p>	fournie avec le produit	apposée sur le produit
<p>⚠ ATTENTION L'essence est très inflammable et explosive. Arrêter le moteur et le laisser refroidir avant de faire le plein d'essence. Le moteur produit les vapeurs nocives de monoxyde de carbone. Ne pas utiliser dans un local clos. Lire le manuel de propriétaire avant l'utilisation.</p>	fournie avec le produit	fournie avec le produit

Avec silencieux monté en usine Honda.

ETIQUETTE DE PRECAUTIONS VIS-A-VIS DU SILENCIEUX	
	non incluse
<p>⚠ CAUTION HOT MUFFLER CAN BURN YOU. Stay away if engine has been running.</p>	fournie avec le produit
<p>⚠ ATTENTION L'ECHAPPEMENT CHAUD PEUT VOUS BRULER. S'ÉLOIGNER QUAND LE MOTEUR FONCTIONNE.</p>	fournie avec le produit



L'essence est très inflammable et explosive. Avant de faire le plein de carburant, arrêter le moteur et le laisser se refroidir.



Le moteur dégage du monoxyde de carbone qui est un gaz toxique. Ne jamais le faire fonctionner dans un endroit clos.



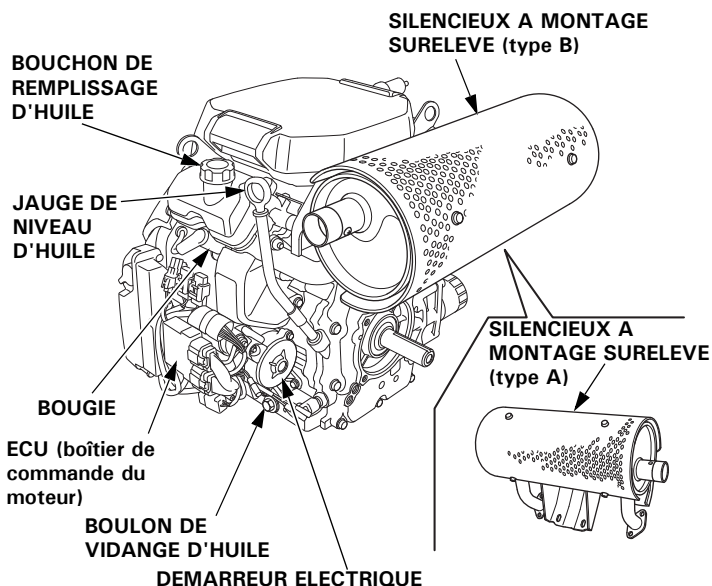
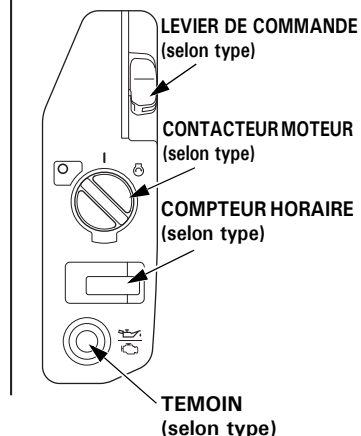
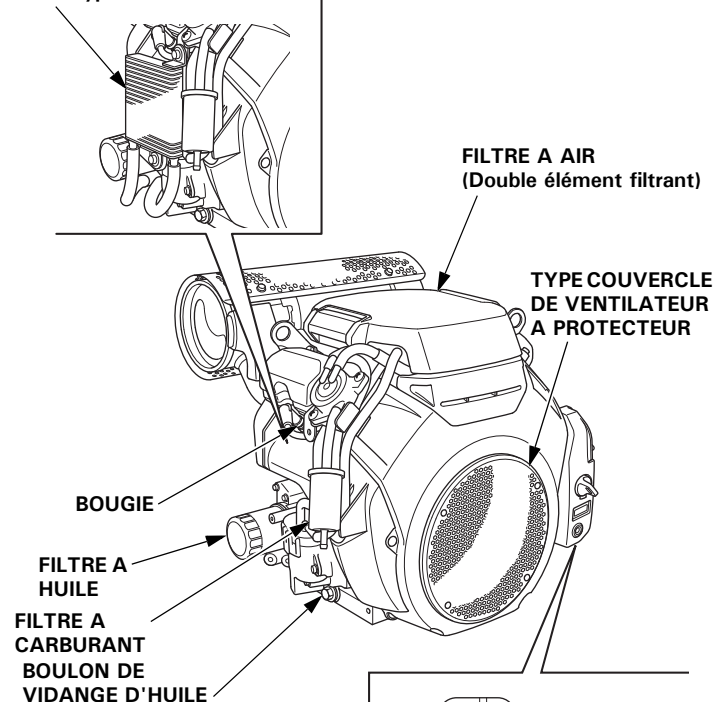
Lire le manuel de l'utilisateur avant l'utilisation.



Le silencieux chaud peut provoquer des brûlures. Rester à distance si le moteur vient de fonctionner.

EMPLACEMENT DES COMPOSANTS ET COMMANDES

REFROIDISSEUR D'HUILE
(selon type)



PARTICULARITES

Système Oil Alert® (selon type)

"Oil Alert est une marque déposée aux Etats-Unis."

Le système Oil Alert protège le moteur contre les dommages dus au manque d'huile dans le carter moteur. Avant que le niveau d'huile dans le carter moteur ne descende sous le seuil de sécurité, le témoin (rouge) s'allume et le système Oil Alert arrête automatiquement le moteur (le contacteur moteur reste en position MARCHE).

Si le moteur s'arrête et ne redémarre pas, vérifier le niveau de l'huile moteur (voir page 8) avant de procéder à la recherche d'une autre cause de panne.

Système d'injection de carburant

Le système d'injection utilise l'injection de carburant. Il contient trois sous-systèmes : Admission d'air, commande du moteur et contrôle du carburant. L'ECU (boîtier de commande du moteur) utilise différents capteurs pour déterminer la quantité d'air qui entre dans le moteur. Il contrôle ensuite la quantité de carburant à injecter dans toutes les conditions d'utilisation.

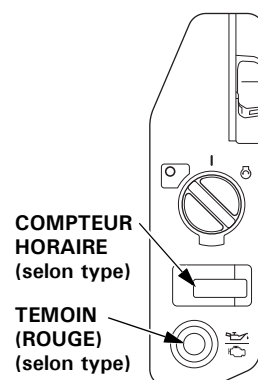
Si le témoin clignote (rouge) une seule fois, cela peut indiquer que le système électrique présente un problème de tension, vérifier la tension de la batterie.

En l'absence de problème de tension ou si le témoin clignote (rouge) au moins deux fois, cela peut indiquer que le système d'injection présente un problème grave. Confier le moteur à votre concessionnaire réparateur.

Compteur horaire (types applicables)

Il compte le temps écoulé d'utilisation du moteur après le démarrage du moteur.

Le temps écoulé d'utilisation du moteur n'est pas compté à partir de la seule mise du contact.



CONTROLES AVANT L'UTILISATION

LE MOTEUR EST-IL PRET A FONCTIONNER ?

Pour la sécurité, le respect de la réglementation sur l'environnement et la longévité de l'équipement, il est important de consacrer quelques instants à vérifier l'état du moteur avant l'utilisation. Corriger tout problème constaté ou confier cette opération au concessionnaire avant l'utilisation.

ATTENTION

Un entretien incorrect de ce moteur ou l'absence de correction d'un problème avant l'utilisation peut entraîner un dysfonctionnement important.

Certains dysfonctionnements peuvent entraîner des blessures graves voire mortelles.

Toujours effectuer les contrôles avant l'utilisation avant chaque utilisation et corriger tout problème.

Avant de commencer les contrôles avant l'utilisation, s'assurer que le moteur est à l'horizontale et que le contacteur moteur se trouve sur la position ARRET.

Toujours vérifier les points suivants avant de mettre le moteur en marche :

Vérifier l'état général du moteur

1. Avant chaque utilisation, s'assurer qu'il n'y a pas de traces de fuites d'huile ou d'essence autour ou sous le moteur.
2. Enlever toute saleté ou débris excessifs, tout particulièrement autour du silencieux.
3. Vérifier qu'il n'y a pas de signes de dommages.
4. S'assurer que tous les protecteurs et couvercles sont en place et que tous les écrous, boulons et vis sont serrés.

Vérifier le moteur

1. Vérifier le niveau de carburant. En démarrant avec un réservoir de carburant plein, on évitera ou réduira les interruptions de service pour faire le plein.
2. Vérifier le niveau d'huile du moteur (voir page 8). L'utilisation du moteur avec un niveau d'huile trop bas peut l'endommager.

Le système Oil Alert (selon type) arrête automatiquement le moteur avant que le niveau d'huile ne descende au-dessous du seuil de sécurité. Toutefois, pour éviter l'inconvénient d'un arrêt imprévu, toujours vérifier le niveau d'huile du moteur avant le démarrage.

3. Vérifier l'élément de filtre à air (voir page 9). Un élément de filtre à air sale limite le passage d'air vers le système d'injection, ce qui diminue les performances du moteur.
4. Vérifier l'équipement commandé par ce moteur.

Pour les précautions et procédures à observer avant le démarrage du moteur, consulter les instructions accompagnant l'équipement commandé par ce moteur.

UTILISATION

CONSIGNES DE SECURITE D'UTILISATION

Avant d'utiliser le moteur pour la première fois, lire la section *INFORMATIONS DE SECURITE* à la page 2 et la section *CONTROLES AVANT L'UTILISATION* à la page 4.

Dangers du monoxyde de carbone

Par sécurité, ne pas faire fonctionner le moteur dans un endroit clos tel qu'un garage. Les gaz d'échappement du moteur contiennent du monoxyde de carbone, un gaz toxique qui peut s'accumuler rapidement dans un endroit clos et provoquer une intoxication ou la mort.

ATTENTION

Les gaz d'échappement contiennent du monoxyde de carbone, un gaz toxique qui peut s'accumuler à des niveaux dangereux dans des endroits clos.

L'inhalation de monoxyde de carbone peut provoquer des évanouissements ou la mort.

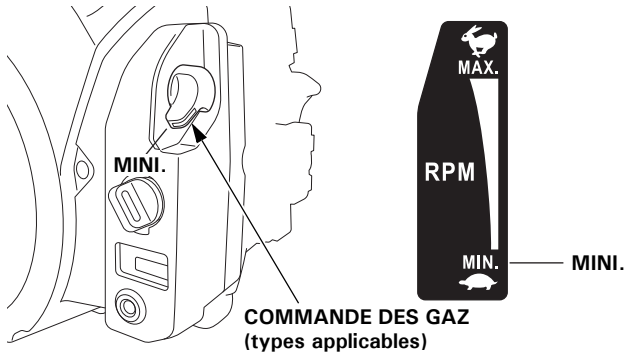
Ne jamais faire tourner le moteur dans un endroit clos, même partiellement.

Pour les consignes de sécurité à observer au démarrage, lors de l'arrêt du moteur et pendant l'utilisation, consulter les instructions accompagnant l'équipement commandé par ce moteur.

Ne pas faire fonctionner le moteur sur des pentes de plus de 20° (36 %).

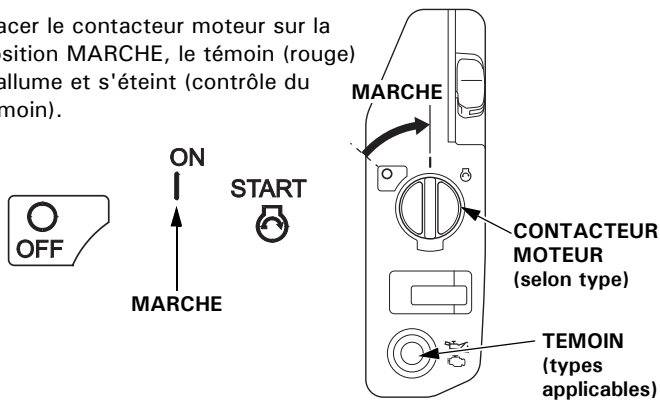
DEMARRAGE DU MOTEUR

1. Si le réservoir de carburant est doté d'un robinet de carburant, placer celui-ci sur la position OUVERT ou MARCHÉ avant de tenter de mettre le moteur en marche.
2. Placer la commande des gaz sur la position MINI.



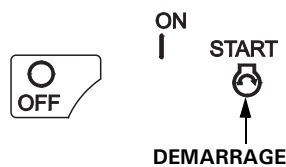
Certaines applications du moteur utilisent une commande à distance des gaz plutôt que la commande des gaz du moteur représentée ici. Par ailleurs, certaines applications fixent le régime moteur. Consulter les instructions fournies par le fabricant de l'équipement.

3. Placer le contacteur moteur sur la position MARCHÉ, le témoin (rouge) s'allume et s'éteint (contrôle du témoin).



4. Actionner le démarreur.

Placer le contacteur moteur sur la position DEMARRAGE et la maintenir sur cette position jusqu'à ce que le moteur démarre.



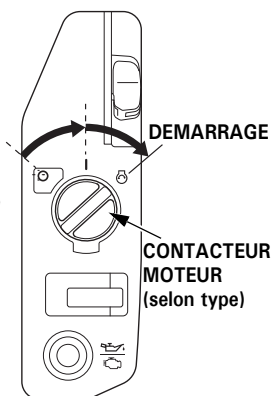
Si le moteur ne démarre pas dans les 5 secondes, relâcher le contacteur moteur et attendre au moins 10 secondes avant d'actionner à nouveau le démarreur.

REMARQUE

Ne pas solliciter le démarreur électrique pendant plus de 5 secondes d'affilée car ceci le ferait surchauffer et pourrait l'endommager.

Lorsque le moteur démarre, relâcher le contacteur moteur et le laisser revenir sur la position MARCHÉ.

Vérifier que le témoin est éteint (voir page 3).



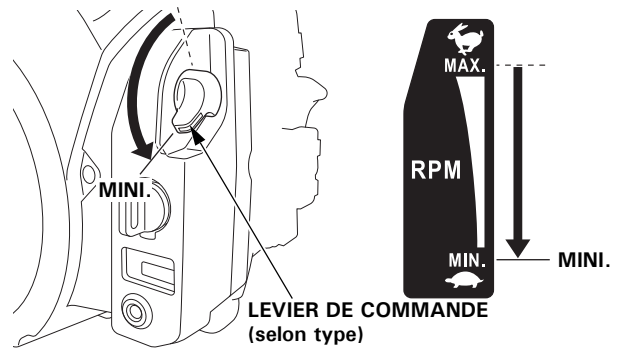
5. Laisser chauffer le moteur pendant 2 ou 3 minutes.

ARRET DU MOTEUR

Pour arrêter le moteur en cas d'urgence, placer simplement le contacteur moteur sur la position ARRET. Dans des conditions normales, procéder comme il est indiqué ci-dessous. Consulter les instructions fournies par le fabricant de l'équipement.

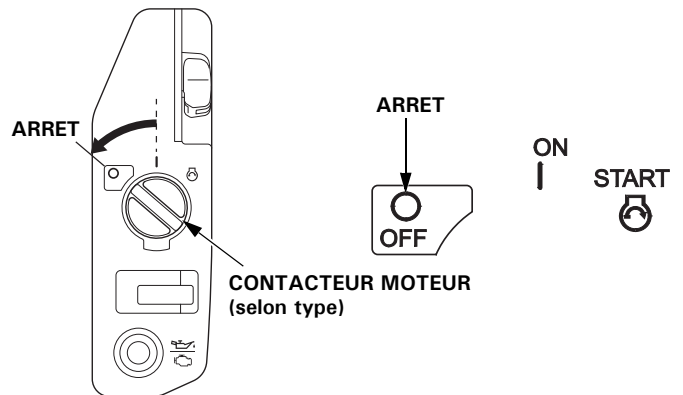
1. Placer la commande des gaz sur la position MINI.

Certaines applications du moteur utilisent une commande à distance des gaz plutôt que la commande des gaz du moteur représentée ici. Par ailleurs, certaines applications fixent le régime moteur.



2. Placer le contacteur moteur sur la position ARRET.

Bien que le moteur puisse émettre un bruit de fonctionnement, cela n'indique pas un dysfonctionnement.



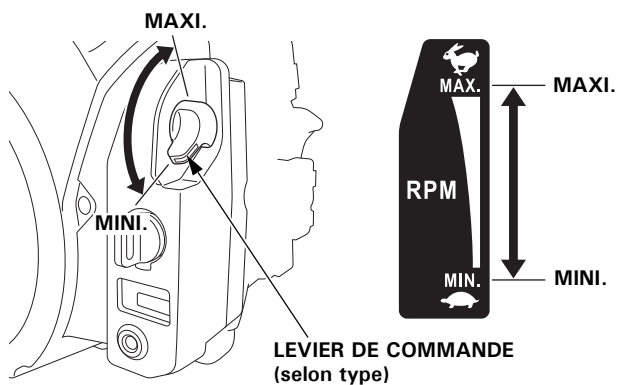
3. Si le réservoir de carburant est doté d'un robinet de carburant, placer celui-ci sur la position FERME ou ARRET.

REGLAGE DU REGIME MOTEUR

Placer la commande des gaz sur la position correspondant au régime moteur désiré.

Certaines applications du moteur utilisent une commande à distance des gaz plutôt que la commande des gaz du moteur représentée ici. Par ailleurs, certaines applications fixent le régime moteur. Consulter les instructions fournies par le fabricant de l'équipement.

Pour les recommandations de régime moteur, consulter les instructions accompagnant l'équipement commandé par ce moteur.



Ne pas déconnecter la batterie du moteur pendant le fonctionnement du moteur. Si la batterie est déconnectée, le moteur s'arrête.

ENTRETIEN DU MOTEUR

L'IMPORTANT DE L'ENTRETIEN

Un bon entretien est essentiel pour un fonctionnement sûr, économique et sans problème. Il contribue également à réduire la pollution.

⚠ ATTENTION

Un entretien incorrect de ce moteur ou l'absence de correction d'un problème avant l'utilisation peut entraîner un dysfonctionnement important.

Certains dysfonctionnements peuvent entraîner des blessures graves voire mortelles.

Toujours observer les recommandations et programmes de contrôle et d'entretien figurant dans ce manuel.

Pour permettre d'entretenir correctement le moteur, on trouvera aux pages suivantes un programme d'entretien, des procédures de contrôle de routine et des procédures d'entretien simples pouvant être effectuées avec des outils à main de base. D'autres opérations d'entretien plus difficiles ou demandant des outils spéciaux seront mieux exécutées par des professionnels et devront normalement être confiées à un technicien Honda ou à un autre mécanicien qualifié.

Le programme d'entretien s'applique à des conditions d'utilisation normales. Si l'on utilise le moteur dans des conditions sévères telles qu'un fonctionnement prolongé sous une charge élevée ou par haute température, ou dans des conditions anormalement humides ou poussiéreuses, demander au concessionnaire d'entretien des recommandations pour des besoins et un usage particuliers.

L'entretien, le remplacement ou la réparation des dispositifs et systèmes antipollution peuvent être exécutés par toute entreprise ou technicien de réparation de moteurs utilisant des pièces "certifiées" aux normes EPA.

SECURITE D'ENTRETIEN

Certaines des consignes de sécurité les plus importantes sont indiquées ci-dessous. Il ne nous est toutefois pas possible de vous avertir de tous les dangers imaginables que vous pouvez courir en exécutant l'entretien. Vous êtes seul juge de décider si vous devez ou non effectuer un travail donné.

⚠ ATTENTION

Un entretien incorrect peut entraîner des problèmes de sécurité.

En n'observant pas correctement les instructions et précautions d'entretien, on s'expose à de graves blessures ou à un danger de mort.

Toujours observer les procédures et précautions de ce manuel.

CONSIGNES DE SECURITE

- Avant de commencer un entretien ou une réparation, s'assurer que le moteur est arrêté. Déconnecter le capuchon de bougie pour ne pas risquer un démarrage accidentel. Ceci éliminera plusieurs risques potentiels :
 - **Empoisonnement par le monoxyde de carbone contenu dans les gaz d'échappement du moteur.**
Procéder à l'extérieur, à bonne distance des fenêtres ou portes ouvertes.
 - **Brûlures par des pièces chaudes.**
Attendre que le moteur et le système d'échappement se soient refroidis avant de les toucher.
 - **Blessure par des pièces mobiles.**
Ne faire tourner le moteur que si cela est indiqué dans les instructions.
- Lire les instructions avant de commencer et s'assurer que l'on dispose de l'outillage et des compétences nécessaires.
- Pour diminuer les risques d'incendie ou d'explosion, être prudent lorsqu'on travaille à proximité de l'essence. Pour nettoyer les pièces, n'utiliser que des solvants ininflammables et non de l'essence. Ne pas approcher de cigarettes, étincelles ou flammes des pièces du système d'alimentation en carburant.

Ne pas oublier que c'est le concessionnaire Honda agréé qui connaît le mieux le moteur et qu'il est parfaitement outillé pour son entretien et sa réparation.

Pour la meilleure qualité et fiabilité, n'utiliser que des pièces Honda authentiques neuves ou leur équivalent pour la réparation et le remplacement.

PROGRAMME D'ENTRETIEN

PERIODICITE D'ENTRETIEN (1) Exécuter l'entretien selon la périodicité indiquée en mois ou en heures de fonctionnement, à la première des deux échéances.		A chaque utilisation	Premier mois ou 20 h	Tous les 6 mois ou 100 h	Une fois par an ou 300 h	Tous les 2 ans ou 500 h	Se reporter à la page
POSTE							
Huile moteur	Contrôle du niveau	o					8
	Renouvellement		o	o			8
Filtre à huile moteur	Remplacement	Toutes les 200 h (4)					—
Filtre à air	Contrôle	o					9
	Nettoyage			o (2)			9
	Remplacement					o *	
Refroidisseur d'huile (selon type)	Contrôle	o (3)					—
Bougie	Contrôle-réglage			o			10
	Remplacement				o		
Pare-étincelles (selon type)	Nettoyage			o (5)			10
Jeu aux soupapes	Contrôle-réglage				o (4)		—
Chambre de combustion	Nettoyage	Toutes les 1 000 h (4)					—
Filtre à carburant	Remplacement				o (4)		—
Tuyau de carburant	Contrôle	Tous les 2 ans (remplacer si nécessaire) (4)					—

* Ne remplacer que l'élément filtrant en papier.

- (1) Pour une utilisation commerciale, consigner le nombre d'heures de service afin de déterminer la périodicité d'entretien appropriée.
- (2) En cas d'utilisation dans des endroits poussiéreux, augmenter la fréquence d'entretien.
- (3) En présence d'une accumulation d'herbe, d'ordures ou d'autres débris, nettoyer régulièrement.
- (4) Confier l'entretien de ces points au concessionnaire à moins que l'on ne dispose des outils appropriés et ne soit mécaniquement compétent. Pour les procédures d'entretien, consulter le manuel d'atelier Honda.
- (5) En Europe et dans les autres pays où la directive 2006/42/CE relative aux machines est en vigueur, cette opération doit être effectuée par le concessionnaire d'entretien.

L'inobservation de ce programme d'entretien peut entraîner des problèmes non couverts par la garantie.

PLEIN DE CARBURANT

Carburant recommandé

Essence sans plomb	
Etats-Unis	Indice d'octane pompe 86 ou plus
Hors Etats-Unis	Indice d'octane recherche 91 ou plus
	Indice d'octane pompe 86 ou plus

Ce moteur est certifié pour fonctionner avec de l'essence sans plomb ayant un indice d'octane pompe d'au moins 86 (ou un indice d'octane recherche d'au moins 91).

Faire le plein dans un endroit bien ventilé, moteur arrêté. Si le moteur vient de tourner, le laisser d'abord se refroidir. Ne jamais faire le plein à l'intérieur d'un bâtiment où les vapeurs d'essence peuvent atteindre des flammes ou des étincelles.

Il est possible d'utiliser une essence sans plomb ne contenant pas plus de 10 % d'éthanol (E10) ou 5 % de méthanol en volume. Le méthanol doit contenir des cosolvants et des inhibiteurs de corrosion. L'utilisation de carburants ayant une teneur en éthanol ou méthanol supérieure à celle indiquée ci-dessus peut occasionner des problèmes de démarrage et/ou performances. Elle peut également endommager les pièces métalliques, en caoutchouc et en plastique du système d'alimentation en carburant. Les dommages au moteur ou problèmes de performances résultant de l'utilisation d'un carburant avec des pourcentages d'éthanol ou de méthanol supérieurs à ceux qui sont indiqués ci-dessus ne sont pas couverts par la garantie.

Si l'on ne compte utiliser l'équipement qu'occasionnellement ou par intermittence, consulter la section sur le carburant dans le chapitre REMISAGE DU MOTEUR (voir page 11) qui fournit des informations complémentaires sur la dégradation du carburant.

ATTENTION

L'essence est hautement inflammable et explosive.

La manipulation du carburant peut entraîner des brûlures ou des blessures graves.

- Avant de manipuler du carburant, arrêter le moteur et le laisser refroidir.
- Ne pas approcher de sources de chaleur, étincelles ou flammes.
- Ne manipuler le carburant qu'à l'extérieur.
- S'éloigner du véhicule.
- Essuyer immédiatement tout déversement.

REMARQUE

Le carburant peut endommager la peinture et certains types de plastiques. Veiller à ne pas renverser de carburant lorsqu'on remplit le réservoir. Les dommages causés par du carburant renversé ne sont pas couverts par la Garantie limitée du distributeur.

Ne jamais utiliser de l'essence viciée ou contaminée ou un mélange d'huile/essence. Empêcher la pénétration de saleté ou eau dans le réservoir de carburant.

Avec le moteur arrêté et sur une surface horizontale, retirer le bouchon de remplissage de carburant et vérifier le niveau de carburant. Si le niveau de carburant est bas, remplir le réservoir. Consulter les instructions accompagnant l'équipement commandé par ce moteur pour faire le plein.

Faire le plein de carburant dans un endroit bien aéré avant de mettre le moteur en marche. Si le moteur vient de tourner, le laisser se refroidir. Faire le plein avec précaution pour éviter de renverser du carburant. Dans certaines conditions d'utilisation, il peut être nécessaire de baisser le niveau du carburant. Après avoir refait le plein, resserrer le bouchon du réservoir de carburant à fond.

Garder l'essence loin des veilleuses des appareils, barbecues, appareils électriques, outils électriques, etc.

Le carburant renversé ne fait pas seulement courir des risques d'incendie ; il est également nuisible pour l'environnement. Essuyer immédiatement tout carburant renversé.

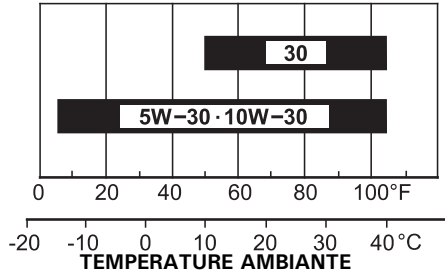
HUILE MOTEUR

L'huile est un facteur déterminant pour la performance et la durée de service.

Utiliser une huile détergente 4 temps pour automobile.

Huile recommandée

Utiliser une huile moteur 4 temps répondant au minimum aux prescriptions pour la catégorie de service API SJ ou ultérieure (ou équivalente). Toujours vérifier l'étiquette de service API sur le bidon d'huile pour s'assurer qu'elle porte bien la mention SJ ou ultérieure (ou équivalente).

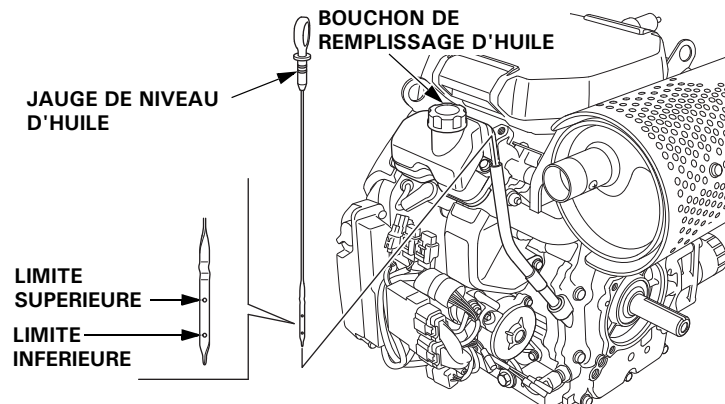


L'indice SAE 10W-30 est préconisé pour un usage général. Les autres viscosités indiquées dans le tableau peuvent être utilisées lorsque la température moyenne du lieu d'utilisation se trouve dans la plage indiquée.

Vérification du niveau d'huile

Vérifier le niveau d'huile du moteur avec le moteur arrêté et à l'horizontale.

1. Mettre le moteur en marche et le laisser tourner au ralenti pendant 1 à 2 minutes. Arrêter le moteur et attendre 2 à 3 minutes.
2. Retirer la jauge d'huile en tirant dessus. Essuyer complètement la jauge d'huile.
3. Introduire complètement la jauge d'huile, puis la retirer pour vérifier le niveau d'huile.
4. Si le niveau de l'huile est proche de ou sous la marque de limite inférieure sur la jauge de niveau, retirer le bouchon de remplissage d'huile et faire l'appoint avec de l'huile recommandée jusqu'à la marque de limite supérieure. Ne pas trop remplir. Consulter la section « Huile recommandée ».
5. Insérer complètement la jauge de niveau d'huile. Resserrer le bouchon de remplissage d'huile à fond.



REMARQUE

L'utilisation du moteur avec un niveau d'huile trop bas peut l'endommager. Ce type de dommage n'est pas couvert par la Garantie limitée du distributeur.

Le système Oil Alert (selon type) arrête automatiquement le moteur avant que le niveau d'huile ne descende au-dessous du seuil de sécurité. Toutefois, pour éviter l'inconvénient d'un arrêt imprévu, faire l'appoint jusqu'à la limite supérieure et vérifier régulièrement le niveau d'huile.

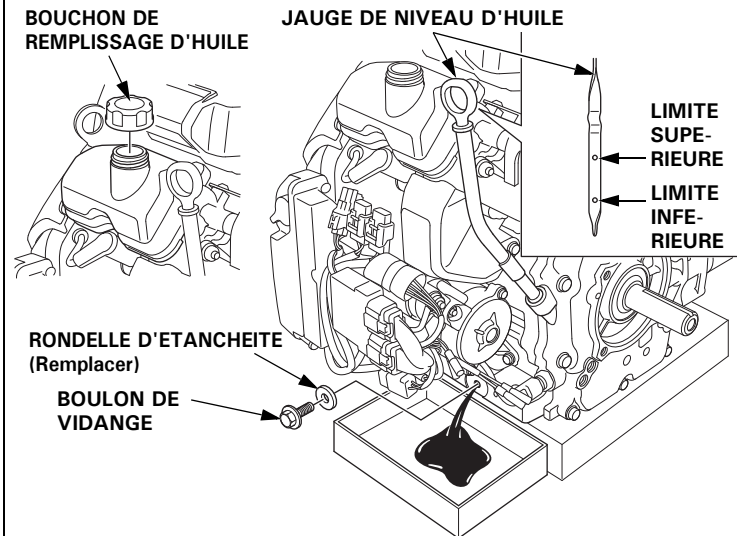
Renouvellement d'huile

Vidanger l'huile usée alors que le moteur est chaud. La vidange s'effectue plus rapidement et plus complètement lorsque l'huile est chaude.

1. Placer un récipient approprié sous le moteur pour recueillir l'huile usée, puis retirer le bouchon de remplissage d'huile, le boulon de vidange et la rondelle d'étanchéité.
2. Vidanger complètement l'huile usée, puis remettre le boulon de vidange en place avec une rondelle d'étanchéité neuve et le serrer à fond.

COUPLE DE SERRAGE : 45,0 N·m (4,5 kgf·m)

Se débarrasser de l'huile moteur usée d'une manière compatible avec l'environnement. Nous conseillons de la porter dans un récipient fermé à la déchetterie locale ou à une station-service pour qu'elle soit recyclée. Ne pas la jeter aux ordures ni la déverser dans la terre ou dans un égout.



3. Avec le moteur à l'horizontale, remplir d'huile recommandée jusqu'au repère de limite maximum de la jauge de niveau d'huile.

Capacité en huile moteur :

Sans remplacement du filtre à huile :

iGX700 : 1,5 L

iGX800 : 1,6 L

Avec remplacement du filtre à huile :

iGX700 : 1,7 L

iGX800 : 1,8 L

REMARQUE

L'utilisation du moteur avec un niveau d'huile trop bas peut l'endommager. Ce type de dommage n'est pas couvert par la Garantie limitée du distributeur.

Le système Oil Alert (selon type) arrête automatiquement le moteur avant que le niveau d'huile ne descende au-dessous du seuil de sécurité.

Toutefois, pour éviter l'inconvénient d'un arrêt imprévu, faire l'appoint jusqu'à la limite supérieure et vérifier régulièrement le niveau d'huile.

4. Reposer correctement le bouchon de remplissage d'huile et la jauge de niveau d'huile.

FILTRE A AIR

Un filtre à air sale restreint le passage d'air vers le système d'injection et réduit ainsi les performances du moteur. Si l'on utilise le moteur dans des endroits très poussiéreux, nettoyer le filtre à air plus souvent qu'il n'est indiqué dans le PROGRAMME D'ENTRETIEN (voir page 7).

REMARQUE

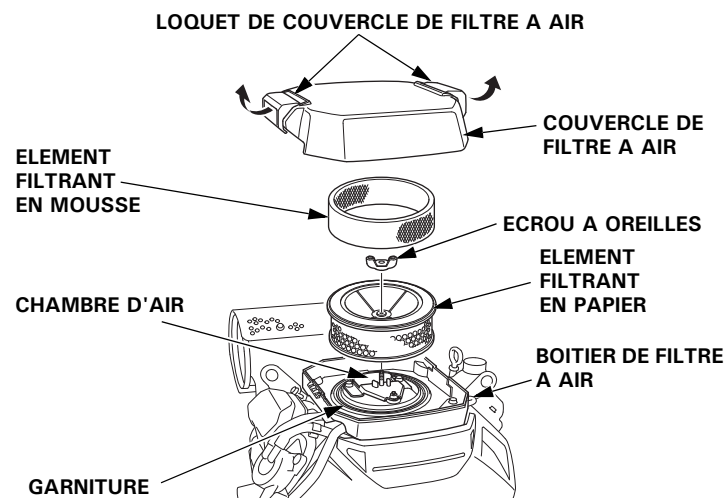
Faire fonctionner le moteur sans filtre à air ou avec un filtre à air abîmé risque d'encrasser le moteur et de provoquer l'usure rapide du moteur. Ce type de dommage n'est pas couvert par la Garantie limitée du distributeur.

Contrôle

Déposer le couvercle de filtre à air et contrôler les éléments filtrants. Nettoyer ou remplacer des éléments filtrants sales. Toujours remplacer des éléments filtrants endommagés.

Nettoyage

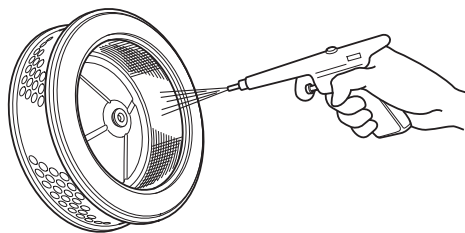
1. Placer le loquet de couvercle de filtre à air sur la position de déverrouillage et déposer le couvercle.
2. Retirer l'écrou à oreilles de l'élément filtrant en papier.
3. Déposer l'élément filtrant en papier et l'élément filtrant en mousse du boîtier de filtre à air.
4. Déposer l'élément filtrant en mousse de l'élément filtrant en papier.



5. Contrôler les deux éléments filtrants et les remplacer s'ils sont endommagés. Toujours remplacer l'élément filtrant en papier aux intervalles prévus dans le programme d'entretien (voir page 7).

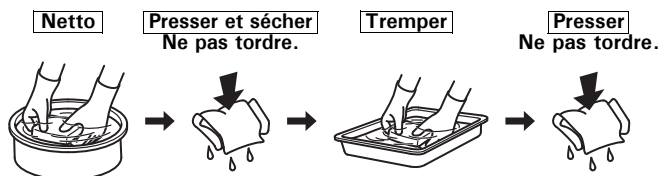
6. Nettoyer les éléments filtrants s'ils doivent être réutilisés.

Élément filtrant en papier : tapoter doucement l'élément de filtre à air en papier à plusieurs reprises sur une surface dure pour en détacher la saleté ou appliquer un jet d'air comprimé [207 kPa (2,1 kgf/cm²) maximum] à travers l'élément depuis le côté du boîtier filtre à air.



Ne jamais essayer de faire partir la saleté avec une brosse ; ceci ne ferait qu'enfoncer la saleté dans les fibres. Remplacer l'élément filtrant en papier s'il est excessivement sale.

Élément filtrant en mousse : nettoyer l'élément dans de l'eau savonneuse chaude, le rincer et le laisser sécher complètement. On pourra également le nettoyer dans un solvant ininflammable, puis le laisser sécher. Tremper l'élément filtrant dans de l'huile moteur propre, puis en éliminer toute huile en excès. S'il reste trop d'huile dans la mousse, le moteur fumera au démarrage.



7. Essuyer la saleté à l'intérieur du corps et du couvercle de filtre à air à l'aide d'un chiffon humide. Veiller à ce que la saleté ne pénètre pas dans la chambre d'air menant au système d'injection.
8. Placer l'élément filtrant en mousse sur l'élément filtrant en papier, puis reposer l'élément filtrant assemblé. S'assurer que la garniture est en place sous l'élément filtrant. Serrer l'écrou à oreilles à fond.
9. Verrouiller solidement le loquet de couvercle de filtre à air.

BOUGIE

Bougie recommandée : BPR5ES (NGK)

La bougie recommandée possède l'indice thermique correct pour des températures normales de fonctionnement du moteur.

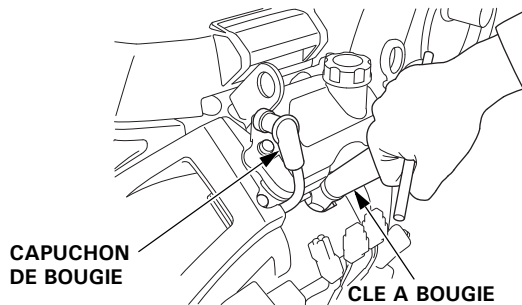
REMARQUE

Des bougies incorrectes peuvent provoquer des dommages au moteur.

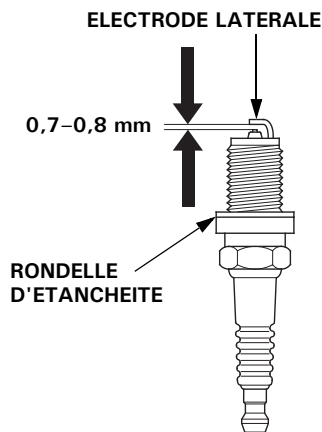
Si le moteur vient de tourner, le laisser se refroidir avant toute intervention sur les bougies.

Pour que les performances soient bonnes, les bougies doivent avoir un écartement des électrodes correct et ne pas être encrassées.

1. Déconnecter les capuchons de bougie et nettoyer toute saleté autour des bougies.
2. Déposer les bougies avec une clé à bougie de 13/16 pouce.



3. Contrôler les bougies. Les remplacer si elles sont endommagées, très encrassées, si leur rondelle d'étanchéité est en mauvais état ou si leur électrode est usée.



4. Mesurer l'écartement des électrodes avec un calibre d'épaisseur à fils. Corriger l'écartement si nécessaire en pliant prudemment l'électrode latérale. L'écartement doit être de : 0,7-0,8 mm
5. Reposer la bougie avec précaution à la main pour éviter de foirer son filetage.
6. Lorsque la bougie a touché son siège, continuer à la serrer avec une clé à bougie de 13/16 pouce pour comprimer la rondelle d'étanchéité.

Si la bougie est neuve, la serrer de 1/2 tour après qu'elle a touché son siège pour comprimer la rondelle.

Pour l'installation d'une bougie d'allumage ancienne, serrer de 1/8-1/4 de tour après l'assise de la bougie pour comprimer la rondelle.

COUPLE DE SERRAGE : 18,0 N·m (1,8 kgf·m)

REMARQUE

Une bougie insuffisamment serrée peut surchauffer et endommager le moteur. Un serrage excessif de la bougie peut endommager le filetage dans la culasse.

7. Fixer les capuchons de bougie sur les bougies.

PARE-ÉTINCELLES (selon type)

En Europe et dans les autres pays où la directive 2006/42/CE relative aux machines est en vigueur, ce nettoyage doit être effectué par le concessionnaire.

Ce moteur n'a pas été équipé d'un pare-étincelles en usine. Le pare-étincelles est une pièce en option. Dans certaines zones, il n'est pas autorisé d'utiliser un moteur sans pare-étincelles. Se renseigner sur la réglementation locale. Un pare-étincelles est en vente chez les concessionnaires Honda agréés.

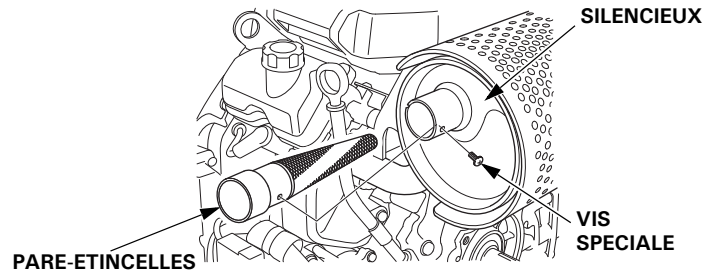
Le pare-étincelles doit être entretenu toutes les 100 heures pour pouvoir continuer à fonctionner de la manière prévue.

Si le moteur vient de tourner, le silencieux sera chaud. Le laisser se refroidir avant de contrôler le pare-étincelles.

Nettoyage et contrôle du pare-étincelles

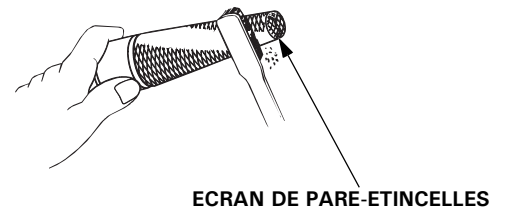
1. Déposer le pare-étincelles :

Retirer la vis spéciale du silencieux et déposer le pare-étincelles.



2. Utiliser une brosse pour retirer la calamine de l'écran du pare-étincelles. Veiller à ne pas endommager l'écran.

Le pare-étincelles ne doit pas être cassé ou troué. Remplacer le pare-étincelles s'il est endommagé.



3. Reposer le pare-étincelles et le protecteur de silencieux dans l'ordre inverse du démontage.

CONSEILS ET SUGGESTIONS UTILES

REMISAGE DU MOTEUR

Préparation au remisage

Une préparation au remisage appropriée est essentielle pour maintenir le moteur en bon état de fonctionnement et lui conserver son bel aspect. Les opérations suivantes contribueront à empêcher que la rouille et la corrosion n'affectent le fonctionnement et l'aspect du moteur et à faciliter le démarrage du moteur lors de sa remise en service.

Nettoyage

Si le moteur vient de tourner, le laisser se refroidir pendant au moins une demi-heure avant le nettoyage. Nettoyer toutes les surfaces extérieures, faire les retouches de peinture nécessaires et enduire toutes les parties susceptibles de rouiller d'une légère couche d'huile.

REMARQUE

L'utilisation d'un tuyau d'arrosage ou d'un dispositif de lavage sous pression peut faire pénétrer de l'eau dans le filtre à air ou dans l'ouverture du silencieux. L'eau dans le filtre à air imbibe alors l'élément filtrant, et l'eau qui traverse l'élément filtrant ou le silencieux peut pénétrer dans le cylindre et causer des dommages.

Carburant

REMARQUE

Selon le lieu d'utilisation de l'équipement, le carburant peut se dégrader et s'oxyder rapidement. La dégradation et l'oxydation du carburant peuvent se produire en seulement 30 jours et provoquer des dommages au système d'injection. Pour les recommandations sur le remisage local, se renseigner auprès du concessionnaire.

L'essence s'oxyde et se dégrade lors du remisage. Une essence dégradée rend le démarrage difficile et laisse des dépôts de gomme susceptibles de boucher le système d'injection. Si l'essence dans le moteur se dégrade pendant le remisage, une intervention sur les composants du système d'injection ou leur remplacement peut être nécessaire.

Le temps que l'essence peut rester dans votre réservoir de carburant sans causer de problèmes de fonctionnement peut varier en fonction de facteurs tels que les mélanges d'essence, les températures de stockage, et si le réservoir de carburant est partiellement ou complètement rempli. L'air dans un réservoir de carburant partiellement rempli favorise la dégradation de carburant. Des températures de stockage très élevées accélèrent la détérioration du carburant. Des problèmes de dégradation du carburant peuvent survenir après quelques mois ou même plus rapidement si l'essence n'était pas fraîche lorsqu'on a fait le plein.

Les dommages du système d'injection ou les problèmes de performances du moteur qui résultent d'une mauvaise préparation au remisage ne sont pas couverts par la *Garantie limitée du distributeur*.

On peut prolonger la durée de vie du carburant lors du remisage en ajoutant un stabilisateur d'essence spécialement formulé à cet effet ou l'on peut éviter les problèmes de dégradation du carburant en vidangeant le réservoir de carburant.

Ajout d'un stabilisateur d'essence pour prolonger la durée de stockage du carburant

Lorsqu'on ajoute un stabilisateur d'essence, remplir le réservoir de carburant avec de l'essence fraîche. Si le réservoir n'est que partiellement rempli, l'air à l'intérieur favorise la dégradation du carburant pendant le remisage. Si l'on garde un bidon d'essence pour le ravitaillement, veiller à ce qu'il ne contienne que de l'essence fraîche.

1. Ajouter le stabilisateur d'essence en suivant les instructions du fabricant.
2. Après l'ajout d'un stabilisateur d'essence, mettre le moteur en marche à l'extérieur.
3. Arrêter le moteur et, si le réservoir de carburant est doté d'un robinet de carburant, placer celui-ci sur la position FERME ou ARRET.

Vidange du réservoir de carburant

⚠ ATTENTION

L'essence est hautement inflammable et explosive.

La manipulation du carburant peut entraîner des brûlures ou des blessures graves.

- Avant de manipuler du carburant, arrêter le moteur et le laisser refroidir.
- Ne pas approcher de sources de chaleur, étincelles ou flammes.
- Ne manipuler le carburant qu'à l'extérieur.
- S'éloigner du véhicule.
- Essuyer immédiatement tout déversement.

1. Débrancher la canalisation de carburant vers le moteur et vidanger le réservoir de carburant dans un récipient à essence agréé. Si le réservoir de carburant est doté d'un robinet de carburant, placer celui-ci sur la position OUVERT ou MARCHE pour permettre la vidange. Après la vidange, rebrancher la canalisation de carburant.

2. Pour vidanger complètement le système d'injection, mettre le moteur en marche (voir page 5) et le laisser tourner jusqu'à ce qu'il s'arrête.

3. Lorsque le moteur s'arrête, placer le contacteur moteur sur la position ARRET.

Si le contacteur moteur reste sur la position MARCHE, la batterie se décharge.

4. Si le réservoir de carburant est doté d'un robinet de carburant, placer celui-ci sur la position FERME ou ARRET.

Huile moteur

1. Renouveler l'huile moteur (voir page 8).
2. Déposer les bougies (voir page 10).
3. Verser 5 à 10 cm³ (1 ou 2 cuillères à café) d'huile moteur propre dans chaque cylindre.
4. Faire tourner le moteur pendant quelques secondes en plaçant l'interrupteur du moteur sur la position DEMARRAGE pour distribuer l'huile dans les cylindres.
5. Reposer les bougies.

Précautions de remisage

Si l'on remise le moteur avec de l'essence dans le réservoir de carburant, il est important de réduire les risques d'inflammation des vapeurs d'essence. Choisir une zone de remisage bien aérée loin de tout appareil à flamme tel que fourneau, chauffe-eau ou séchoir à linge. Eviter également un endroit où un moteur électrique produisant des étincelles ou des outils électriques sont utilisés.

Eviter dans la mesure du possible des zones de remisage très humides car ceci favorise la rouille et la corrosion.

Garder le moteur à l'horizontale lors du remisage. Une inclinaison peut provoquer des fuites de carburant ou d'huile.

Sauf si le carburant a été entièrement vidangé du réservoir de carburant, laisser le robinet de carburant sur la position FERME ou ARRET pour réduire les risques de fuites de carburant.

Alors que le moteur et le système d'échappement sont froids, couvrir le moteur pour le protéger contre la poussière. Un moteur ou un système d'échappement chaud peut enflammer ou faire fondre certaines matières. Ne pas utiliser une bâche en plastique pour la protection contre la poussière.

Une bâche non poreuse emprisonne l'humidité autour du moteur et favorise la rouille et la corrosion.

Déposer la batterie, si elle est installée, et la ranger dans un endroit frais et sec. Pendant le remisage du moteur, recharger la batterie une fois par mois. Ceci prolongera la durée de service de la batterie.

Fin du remisage

Vérifier le moteur comme il est indiqué à la section *CONTROLES AVANT L'UTILISATION* de ce manuel (voir page 4).

Si le carburant a été vidangé lors de la préparation au remisage, remplir le réservoir avec de l'essence fraîche. Si l'on garde un bidon d'essence pour le ravitaillement, veiller à ce qu'il ne contienne que de l'essence fraîche. L'essence s'oxyde et se dégrade avec le temps, ce qui rend le démarrage difficile.

Si les cylindres ont été enduits d'huile lors de la préparation au remisage, il se peut que le moteur fume brièvement au démarrage. Ceci est normal.

TRANSPORT

Si le moteur vient de tourner, le laisser se refroidir pendant au moins 15 minutes avant de charger l'équipement commandé par lui sur le véhicule de transport. Un moteur ou un système d'échappement chaud peut provoquer des brûlures et enflammer certaines matières.

Garder le moteur à l'horizontale lors du transport pour réduire les risques de fuites de carburant. Si le réservoir de carburant est doté d'un robinet de carburant, placer le levier de robinet de carburant sur FERME ou ARRET.

EN CAS DE PROBLEME INATTENDU

LE MOTEUR NE DEMARRE PAS

Cause possible	Remède
Batterie déchargée.	Recharger la batterie.
Fusible grillé.	Remplacer le fusible.
Robinet de carburant FERME ou sur ARRET. (Suivant équipement)	Placer le levier sur la position OUVERT ou MARCHE.
Contacteur moteur sur ARRET.	Placer le contacteur moteur sur la position MARCHE (p. 5).
Niveau d'huile moteur bas (le système Oil Alert arrête le moteur).	Faire l'appoint avec l'huile recommandée jusqu'au niveau voulu (p. 8).
Absence de carburant.	Faire le plein de carburant (p. 7).
Carburant vicié, moteur remisé sans traiter ou vidanger l'essence, ou remplissage avec une essence viciée.	Vidanger le réservoir de carburant (p. 11). Remplir d'essence fraîche (p. 7).
Bougies défectueuses, encrassées ou mauvais écartement des électrodes.	Régler l'écartement ou remplacer les bougies (p. 10).
Bougies noyées par le carburant (moteur noyé).	Sécher puis reposer les bougies (p. 10).
Filtre à carburant colmaté, dysfonctionnement du système d'injection ou de l'allumage, soupapes gommées, etc.	Apporter le moteur au concessionnaire réparateur ou se reporter au manuel d'atelier.

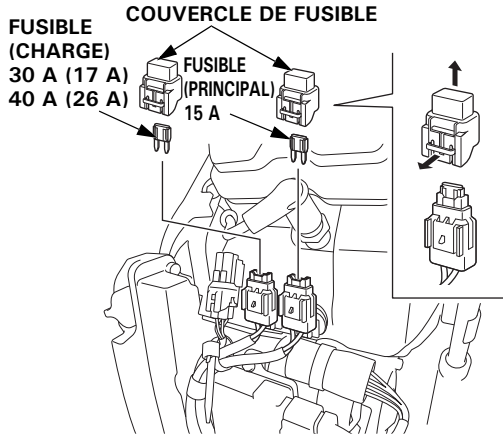
LE MOTEUR MANQUE DE PUISSANCE

Cause possible	Remède
Élément(s) filtrants colmaté(s).	Nettoyer ou remplacer le(s) élément(s) filtrant(s) (p. 9).
Carburant vicié, moteur remisé sans traiter ou vidanger l'essence, ou remplissage avec une essence viciée.	Vidanger le réservoir de carburant (p. 11). Remplir d'essence fraîche (p. 7).
Filtre à carburant colmaté, dysfonctionnement du système d'injection ou de l'allumage, soupapes gommées, etc.	Apporter le moteur au concessionnaire réparateur ou se reporter au manuel d'atelier.

REPLACEMENT DU FUSIBLE

Le circuit électrique est protégé par un fusible. Si le fusible saute, le circuit électrique ne fonctionnera pas.

1. Retirer le couvercle du fusible et contrôler le fusible.



Si le fusible a sauté, le retirer et le mettre au rebut. Monter un fusible neuf.

REMARQUE

Ne jamais utiliser un fusible d'un ampérage différent de celui qui est spécifié. Ceci pourrait causer d'importants dommages au système électrique ou un incendie.

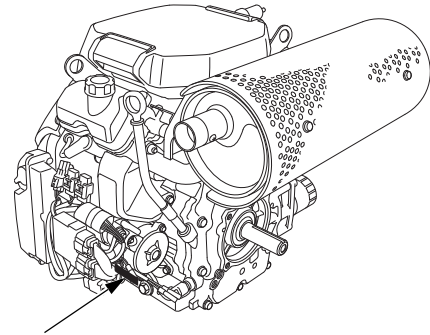
2. Reposer le couvercle de fusible.

Si le fusible saute, ceci signale généralement un court-circuit ou une surcharge dans le circuit électrique. Porter alors le moteur chez un concessionnaire réparateur pour le faire réparer.

INFORMATIONS TECHNIQUES

Emplacement du numéro de série

Noter le numéro de série du moteur, le type et la date d'achat dans les espaces ci-dessous. Ces informations seront nécessaires pour la commande de pièces et les demandes de renseignements techniques ou de garantie.



EMPLACEMENT DU NUMERO DE SERIE ET DU TYPE DE MOTEUR

Numéro de série du moteur : _____

Type de moteur : _____

Date d'achat : ____ / ____ / ____

Raccordements de la batterie pour le démarreur électrique

Batterie recommandée : 55B24 (12 V-36 Ah)

Veiller à ne pas connecter la batterie avec une polarité inversée car cela court-circuiterait le circuit électrique. Toujours connecter le câble positif (+) de la batterie à la borne de la batterie avant de connecter le câble négatif (-) de la batterie afin de ne pas risquer de provoquer un court-circuit en touchant une pièce reliée à la masse avec l'outil lors du serrage de l'extrémité du câble positif (+) de la batterie.

Vérifier que le câble de la batterie est éloigné de l'ECU (boîtier de commande du moteur).

⚠ ATTENTION

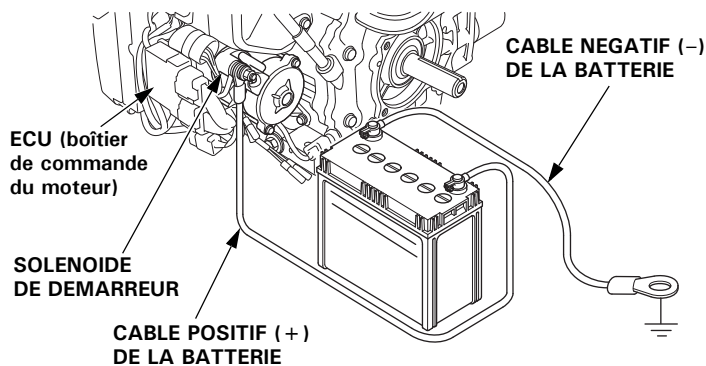
Si l'on n'observe pas la procédure correcte, la batterie peut exploser et blesser grièvement quelqu'un à proximité.

Ne pas approcher d'étincelles, flammes vives et cigarettes de la batterie.

ATTENTION : Les bornes, cosses et accessoires connexes de la batterie contiennent du plomb et des composés de plomb. **Se laver les mains après manipulation.**

Vérifier que le contacteur moteur est sur la position ARRÊT (voir page 5).

1. Connecter le câble positif (+) de la batterie à la borne du solénoïde de démarreur comme sur la figure.
2. Connecter le câble négatif (-) de la batterie à un boulon de montage du moteur, un boulon du châssis ou une autre bonne connexion de masse du moteur.
3. Connecter le câble positif (+) de la batterie à la borne positive (+) de la batterie comme sur la figure.
4. Connecter le câble négatif (-) de la batterie à la borne négative (-) de la batterie comme sur la figure.
5. Enduire les bornes et les extrémités de câble avec de la graisse.



⚠ ATTENTION

La batterie contient de l'acide sulfurique (électrolyte), un produit hautement corrosif et toxique.

Le contact de l'électrolyte avec les yeux et la peau peut entraîner des blessures graves.

Porter des vêtements de protection et une protection oculaire lors de travaux à proximité de la batterie.

TENIR LES ENFANTS ELOIGNES DE LA BATTERIE.

Informations sur le système antipollution

Garantie du système antipollution

Votre nouveau Honda est conforme aux réglementations de l'EPA des Etats-Unis et à celles sur les émissions de l'Etat de Californie. American Honda offre la même couverture de garantie antipollution pour les moteurs de Honda Power Equipment vendus dans l'ensemble des 50 États. Dans toutes les régions des Etats-Unis, votre moteur Honda Power Equipment est conçu, construit et équipé conformément aux normes EPA des Etats-Unis et des normes du California Air Resources Board sur les émissions pour les moteurs à allumage par étincelle.

Couverture de la garantie

Les moteurs Honda Power Equipment certifiés CARB et EPA (Etats-Unis) sont couverts par cette garantie comme étant exempts de tout défaut matériel et de fabrication susceptible d'entraver leur conformité aux exigences des normes EPA (Etats-Unis) et CARB applicables sur les émissions pendant un minimum de 2 ans ou la durée de la *garantie limitée du distributeur de Honda Power Equipment*, la plus longue étant celle qui prévaut, à partir de la date d'origine de livraison à l'acheteur de détail. Cette garantie est transférable à chaque tiers acquéreur pendant la durée de la période de garantie.

Les réparations de garantie seront effectuées gratuitement pour le diagnostic, les pièces et la main d'œuvre. Pour plus d'informations sur la manière d'effectuer une réclamation de garantie ainsi qu'une description de la manière dont une réclamation peut être effectuée et/ou comment un service peut être fourni, contacter un concessionnaire agréé Honda Power Equipment ou contacter American Honda aux coordonnées suivantes :

E-mail : powerequipmentemissions@ahm.honda.com

Téléphone : (888) 888-3139

Les composants couverts incluent tous les composants du moteur dont la panne augmenterait ses émissions de vapeurs de carburant ou de tout polluant réglementé. Une liste des composants spécifiques est incluse dans la déclaration de garantie antipollution fournie séparément.

Les termes spécifiques de la garantie, sa couverture, ses limitations et la manière de demander un service de garantie sont également décrits dans la déclaration de garantie antipollution fournie séparément. La déclaration de garantie antipollution est également mise à disposition sur le site Web de Honda Power Equipment ou sous le lien suivant :

<http://powerequipment.honda.com/support/warranty>

Source des émissions

Le processus de combustion produit du monoxyde de carbone, des oxydes d'azote et des hydrocarbures. Il est très important de contrôler les hydrocarbures et les oxydes d'azote car, dans certaines conditions, ces substances réagissent à la lumière du soleil pour former un brouillard photochimique.

Le monoxyde de carbone ne réagit pas de la même manière, mais il est toxique.

Honda utilise les rapports air/carburant appropriés et d'autres systèmes de contrôle des émissions pour réduire les émissions de monoxyde de carbone, d'oxydes d'azote et d'hydrocarbures.

De plus, les systèmes d'alimentation en carburant Honda utilisent des composants et des technologies de contrôle visant à réduire les émissions évaporatives.

Lois "Clean Air" des Etats-Unis et de la Californie, et Environnement et Changement climatique Canada (ECCC)

Les réglementations de l'EPA américaine, de la Californie et du Canada exigent que tous les fabricants fournissent des instructions écrites décrivant le fonctionnement et l'entretien des systèmes antipollution.

Les instructions et les procédures suivantes doivent être suivies pour que les émissions du moteur Honda restent conformes aux normes d'émission.

Altérations et modifications

REMARQUE

L'altération est une violation de la loi fédérale et californienne.

L'altération ou la modification du système antipollution peut augmenter les émissions au-delà de la limite légale. Les actions constituant un acte d'altération sont les suivantes :

- Dépose ou altération de n'importe quelle partie des systèmes d'admission, d'alimentation en carburant ou d'échappement.
- L'altération ou la désactivation de la tringlerie du régulateur ou du mécanisme de réglage du régime pour provoquer un fonctionnement en dehors des paramètres de conception du moteur.

Problèmes pouvant affecter les émissions

Si les symptômes suivants apparaissent, faire contrôler et réparer le moteur par le concessionnaire réparateur.

- Le moteur démarre difficilement ou cale après le démarrage.
- Ralenti irrégulier.
- Ratés ou retour de flamme sous charge.
- Postcombustion (retour de flamme).
- Fumée d'échappement noire ou consommation élevée en carburant.

Pièces de remplacement

Les systèmes antipollution de ce nouveau moteur Honda ont été conçus, fabriqués et homologués conformément à la réglementation sur la pollution de l'EPA (agence de protection de l'environnement américaine), de Californie et du Canada. Nous recommandons d'utiliser des pièces Honda authentiques lors de tout entretien. Ces pièces de rechange ont la conception d'origine et sont fabriquées en appliquant les mêmes normes que les pièces initiales, ce qui garantit la fiabilité de leurs performances. Honda ne peut refuser la couverture par la garantie des dispositifs antipollution au seul motif que des pièces de rechange d'une autre marque que Honda ont été utilisées ou que l'entretien n'a pas été effectué par un concessionnaire Honda agréé ; vous êtes autorisé à utiliser des pièces certifiées par l'EPA (Etats-Unis) comparables et à faire réaliser l'entretien par des réparateurs autres que les concessionnaires Honda. Cependant, l'utilisation de pièces de rechange n'ayant pas la conception et la qualité d'origine peut nuire à l'efficacité du système antipollution.

Le fabricant d'une pièce du marché des pièces de rechange engage sa responsabilité quant au fait que cette pièce n'aura pas d'effet néfaste sur les performances antipollution. Le fabricant ou le reconstruteur de la pièce doit certifier que l'utilisation de cette pièce n'empêchera pas le moteur de se conformer à la réglementation sur la pollution.

Entretien

En tant que propriétaire du moteur, vous êtes responsable de la réalisation des tâches de maintenance décrites dans votre manuel de l'utilisateur. Honda vous recommande de conserver tous les reçus de paiement des tâches de maintenance réalisées sur votre moteur, mais Honda ne peut pas refuser la couverture de garantie uniquement pour manque de reçus ou pour votre manquement à la réalisation de toutes les tâches de maintenance prévues.

Observer le PROGRAMME D'ENTRETIEN de la page 7.

Ne pas oublier que ce programme présuppose que le moteur sera utilisé pour l'application pour laquelle il est prévu. Une utilisation prolongée sous une charge élevée ou par haute température, ou dans des conditions poussiéreuses demande un entretien plus fréquent.

Indice atmosphérique

(Modèles homologués pour la vente en Californie)

Une étiquette d'informations sur l'indice atmosphérique est apposée sur les moteurs certifiés pour une période d'endurance des pièces antipollution conformément aux exigences du California Air Resources Board.

Le barre-graphe permet au client de comparer les performances antipollution des moteurs disponibles. Plus l'indice atmosphérique est faible, moindre est la pollution.

La description d'endurance est destinée à vous fournir des informations concernant la période d'endurance des émissions du moteur.

La durée de désignation indique la durée de vie utile du système antipollution du moteur. Pour plus d'informations, consulter la *Garantie du système antipollution*.

Durée de désignation	Applicable à la période d'endurance des pièces antipollution
Modérée	50 heures (0 à 80 cm ³ inclus) 125 heures (plus de 80 cm ³)
Intermédiaire	125 heures (0 à 80 cm ³ inclus) 250 heures (plus de 80 cm ³)
Prolongée	300 heures (0 à 80 cm ³ inclus) 500 heures (plus de 80 cm ³) 1 000 heures (225 cm ³ et plus)

L'étiquette à fil/étiquette d'information sur l'indice de qualité de l'air doit rester sur le moteur jusqu'à sa vente. Enlever l'étiquette à fil avant de faire fonctionner le moteur.

Spécifications

iGX700 (Type TXA2)

Longueur × largeur × hauteur	429 × 483 × 438 mm
Masse à sec [poids]	47,1 kg
Type de moteur	4 temps, soupapes en tête, 2 cylindres (V-Twin 90°)
Cylindrée [alésage × course]	688,0 cm ³ [78,0 × 72,0 mm]
Puissance nette (conformément à la norme SAE J1349*)	16,5 kW (22,4 PS) à 3 600 min ⁻¹ (tr/min)
Couple net maxi. (conformément à la norme SAE J1349*)	48,3 N·m (4,93 kgf·m) à 2 500 min ⁻¹ (tr/min)
Contenance en huile moteur	Sans remplacement du filtre à huile : 1,5 L Avec remplacement du filtre à huile : 1,7 L
Refroidissement	Forcé par circulation d'air
Allumage	Allumage complètement transistorisé
Rotation de l'arbre de prise de force	Sens inverse des aiguilles d'une montre (depuis l'extrémité de l'arbre de prise de force)

iGX800 (Type TXA2)

Longueur × largeur × hauteur	429 × 492 × 438 mm
Masse à sec [poids]	46,9 kg
Type de moteur	4 temps, soupapes en tête, 2 cylindres (V-Twin 90°)
Cylindrée [alésage × course]	779,0 cm ³ [83,0 × 72,0 mm]
Puissance nette (conformément à la norme SAE J1349*)	18,6 kW (25,3 PS) à 3 600 min ⁻¹ (tr/min)
Couple net maxi. (conformément à la norme SAE J1349*)	54,5 N·m (5,56 kgf·m) à 2 500 min ⁻¹ (tr/min)
Contenance en huile moteur	Sans remplacement du filtre à huile : 1,6 L Avec remplacement du filtre à huile : 1,8 L
Refroidissement	Forcé par circulation d'air
Allumage	Allumage complètement transistorisé
Rotation de l'arbre de prise de force	Sens inverse des aiguilles d'une montre (depuis l'extrémité de l'arbre de prise de force)

* La puissance nominale du moteur indiquée dans ce document est la puissance de sortie nette testée sur un moteur de série de ce modèle et mesurée conformément à SAE J1349 à 3 600 min⁻¹ (tr/min) (puissance nette) et à 2 500 min⁻¹ (tr/min) (couple net maxi). Les moteurs produits en série peuvent s'écarter de cette valeur. La puissance de sortie réelle lorsque le moteur est installé dans la machine finale variera en fonction de plusieurs facteurs, y compris la vitesse de fonctionnement du moteur pendant l'utilisation, les conditions environnementales, la maintenance et autres variables.

Caractéristiques de mise au point

POSTE	SPECIFICATION	ENTRETIEN
Ecartement des électrodes	0,7–0,8 mm	Se reporter à la page 10
Jeu aux soupapes (à froid)	ADM : 0,20 ± 0,02 mm ECH : 0,20 ± 0,02 mm	Consulter le concessionnaire réparateur
Autres caractéristiques	Aucun autre réglage n'est requis.	

Informations de référence rapide

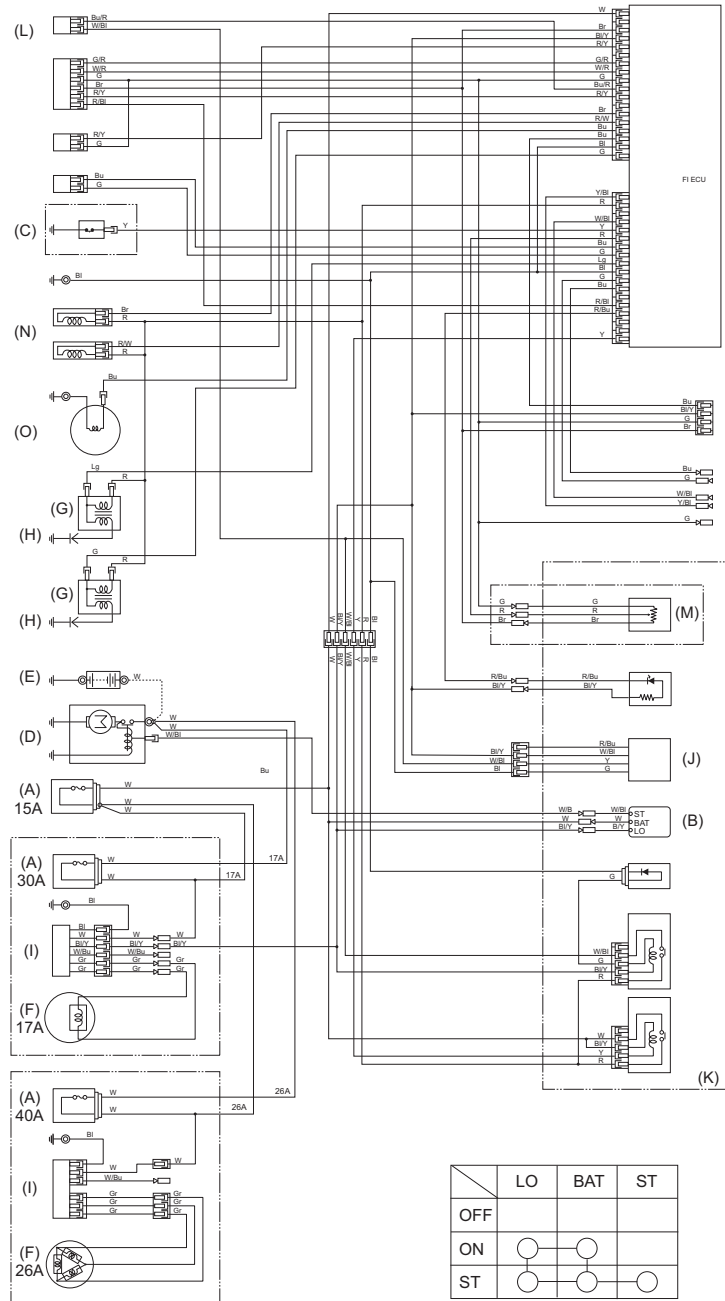
Carburant	Essence sans plomb (se reporter à la page 7).	
	Etats-Unis	Indice d'octane pompe 86 ou plus
	En dehors des Etats-Unis	Indice d'octane recherche 91 ou plus Indice d'octane pompe 86 ou plus
Huile moteur	SAE 10W-30, API SJ ou ultérieure, pour usage général. Se reporter à la page 8.	
Bougie	BPR5ES (NGK)	
Entretien	Avant chaque utilisation :	
	<ul style="list-style-type: none"> • Contrôler le niveau d'huile moteur. Se reporter à la page 8. • Contrôler le filtre à air. Se reporter à la page 9. 	
	Aux 20 premières heures : Changer l'huile moteur. Se reporter à la page 8.	
	Par la suite : Se reporter au programme d'entretien de la page 7.	

Schémas de câblage

- (A) FUSIBLE
- (B) CONTACTEUR MOTEUR
- (C) CONTACTEUR DE NIVEAU D'HUILE
- (D) MOTEUR DE DEMARREUR
- (E) BATTERIE
- (F) BOBINE DE CHARGE
- (G) BOBINE D'ALLUMAGE
- (H) BOUGIE
- (I) REDRESSEUR REGULATEUR
- (J) COMPTEUR HORAIRE
- (K) BOITIER DE COMMANDE
- (L) POMPE A CARBURANT
- (M) COMMANDE DES GAZ
- (N) INJECTION
- (O) BOBINE DE PULSATION

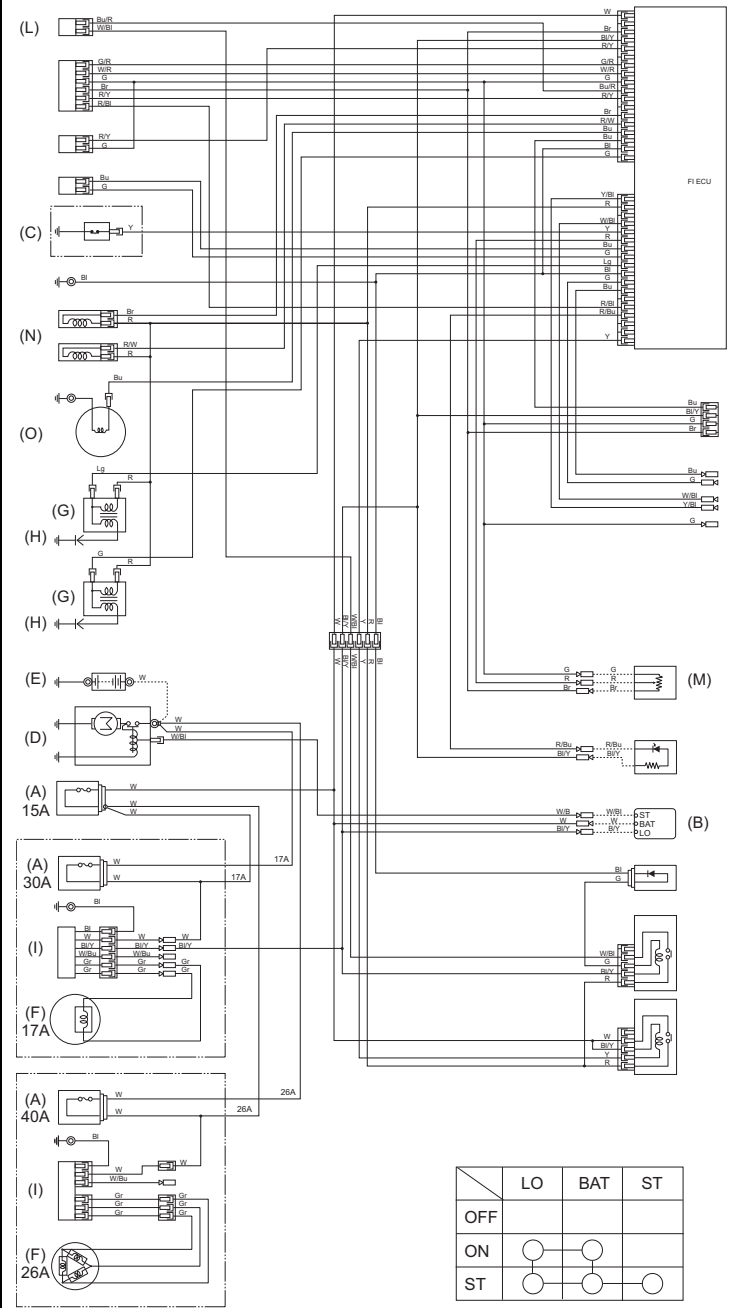
- Bl Noir
- Br Marron
- Bu Bleu
- G Vert
- Gr Gris
- Lb Bleu clair
- Lg Vert clair
- O Orange
- P Rose
- R Rouge
- W Blanc
- Y Jaune

Avec boîtier de commande



	LO	BAT	ST
OFF			
ON	○	○	
ST	○	○	○

Sans boîtier de commande



	LO	BAT	ST
OFF			
ON	○	○	
ST	○	○	○

INFORMATIONS DU CONSOMMATEUR

Garantie et informations de localisation de distributeur/ concessionnaire

Etats-Unis, Porto Rico et Iles vierges des Etats-Unis :
Rendez-vous sur notre site Web : www.honda-engines.com

Canada :
Appelez le (888) 9HONDA9 ou rendez-vous sur notre site Web :
www.honda.ca

Pour la zone européenne :
Rendez-vous sur notre site Web : <http://www.honda-engines-eu.com>

Informations de service à la clientèle

Le personnel des concessionnaires compte des professionnels qualifiés. Il devrait pouvoir répondre à toutes vos questions. Si le technicien ne résout pas votre problème de manière satisfaisante, adressez-vous à la direction de la concession. Le responsable du service après-vente, le directeur général ou le propriétaire pourra vous aider. Presque tous les problèmes se résolvent de cette manière.

Etats-Unis, Porto Rico et Iles vierges des Etats-Unis :
Si vous n'êtes pas satisfait de la décision prise par la direction de la concession, adressez-vous à votre distributeur de moteur Honda régional.

Si vous n'êtes toujours pas satisfait après avoir parlé au distributeur de moteurs régional, contactez le bureau Honda comme suit.

Toutes les autres régions :
Si vous n'êtes pas satisfait de la décision prise par la direction de la concession, adressez-vous au bureau Honda indiqué.

« Bureau Honda »

Lorsque vous écrivez ou appelez, veuillez fournir les informations suivantes:

- Nom du fabricant et numéro de modèle de l'équipement sur lequel est monté le moteur
- Modèle, numéro de série et type du moteur (voir page 13)
- Nom du concessionnaire vous ayant vendu le moteur
- Nom, adresse et personne à contacter du concessionnaire assurant le service après-vente de votre moteur
- Date d'achat
- Vos nom, adresse et numéro de téléphone
- Description détaillée du problème

Etats-Unis, Porto Rico et Iles vierges des Etats-Unis :
American Honda Motor Co., Inc.
Division Power Equipment
Customer Relations Office
4900 Marconi Drive
Alpharetta, GA 30005-8847

Ou téléphoner au : (770) 497-6400, 8:30 - 19:00 ET

Canada :
Honda Canada, Inc.
Visitez notre site Web www.honda.ca
pour des informations relatives aux adresses

Téléphone : (888) 9HONDA9 Gratuit
(888) 946-6329

Télécopie : (877) 939-0909 Gratuit

Pour la zone européenne :
Honda Motor Europe Logistics NV.
European Engine Center

<http://www.honda-engines-eu.com>

Toutes les autres régions :
S'adresser au distributeur Honda local pour toute assistance.

Garantie internationale des moteurs à usage général Honda

Le moteur à usage général Honda installé sur ce matériel de marque est couvert par une garantie Honda dans les conditions suivantes :

- Les conditions de garantie sont conformes à celles pour le moteur à usage général établies par Honda pour chaque pays.
- Les conditions de garantie s'appliquent aux pannes de moteur causées par un problème de fabrication ou de spécification.
- La garantie ne s'applique pas aux pays où il n'existe pas de distributeur Honda.

Pour bénéficiaire de la garantie :

Vous devez confier votre moteur à usage général Honda, ou l'équipement sur lequel il est monté, accompagné de la preuve de la date d'achat du produit à un revendeur de moteurs Honda autorisé à vendre ce produit dans votre pays ou au revendeur qui vous a vendu ce produit. Pour localiser un revendeur/distributeur Honda près de chez vous ou pour vérifier les conditions de garantie dans votre pays, consultez notre site Web mondial d'informations relatives au service <https://www.hppsv.com/ENG/> ou contactez un distributeur dans votre pays.

Exclusions :

Cette garantie moteur n'inclut pas :

1. Tout dommage ou toute détérioration résultant de ce qui suit :
 - Non-réalisation de l'entretien périodique tel que spécifié dans le manuel d'utilisation du moteur
 - Réparation ou entretien incorrect(e)
 - Méthodes d'utilisation différentes de celles indiquées dans le manuel d'utilisation du moteur
 - Dommage entraîné par le produit sur lequel le moteur est monté
 - Dommage entraîné par la transformation en un carburant, ou l'utilisation d'un carburant, autre que le(s) carburant(s) pour lequel/lesquels le moteur est conçu, tel que défini dans le manuel d'utilisation du moteur et/ou le livret de garantie
 - Utilisation de pièces et d'accessoires non d'origine Honda, autres que ceux approuvés par Honda (autres que les lubrifiants et liquides recommandés) (ne s'applique pas à la garantie sur les émissions sauf si une pièce non d'origine utilisée n'est pas comparable à la pièce Honda et a entraîné la panne)
 - Exposition du produit à la suie et aux fumées, aux agents chimiques, aux déjections d'oiseaux, à l'eau de mer, à la brise marine, au sel ou à tout autre phénomène environnemental
 - Collision, contamination ou détérioration du carburant, négligence, modification non autorisée ou utilisation incorrecte
 - Usure naturelle (décoloration naturelle des surfaces peintes ou plaquées, détachement de tôle et autre détérioration naturelle)
2. Les consommables : Honda ne garantit pas la détérioration des pièces due à une usure normale. Les pièces répertoriées ci-dessous ne sont pas couvertes par la garantie (sauf si elles font partie d'une autre réparation sous garantie) :
 - Bougie, filtre à carburant, élément de filtre à air, disque d'embrayage, câble de démarreur manuel
 - Lubrifiant : huile et graisse
3. Les opérations de nettoyage, réglage et entretien périodique normal (nettoyage du carburateur et vidange de l'huile du moteur).
4. L'utilisation du moteur à usage général Honda pour la course ou la compétition.
5. Tout moteur monté sur un produit qui a fait l'objet d'une déclaration de perte totale ou de vente à sa valeur de récupération par un organisme financier ou un assureur.

A propos de l'étiquette ENTRETIEN & ASSISTANCE

Il est possible qu'une étiquette ENTRETIEN & ASSISTANCE* soit apposée sur le moteur Honda d'utilisation générale. Si vous visitez notre site Web en scannant ce code-barres 2D (code QR), vous trouverez des informations relatives à l'entretien.
* Cette étiquette n'est pas apposée sur tous les modèles.



https://www.hondappsv.com/ENG/QR/GX700_800/

—NOTES—

HONDA

INTRODUCCIÓN

¡Muchas gracias por la adquisición de un motor Honda! Nos gustaría ayudarle a obtener los mejores resultados con su nuevo motor y a operarlo con seguridad. Este manual contiene información para ello; léalo detenidamente antes de poner en funcionamiento el motor. En caso de encontrarse con algún problema, o si tiene alguna pregunta sobre su motor, consulte a un concesionario de servicio Honda autorizado.

Toda la información de esta publicación se basa en la información más reciente disponible en el momento de la impresión. Honda Motor Co., Ltd. se reserva el derecho a efectuar cambios en cualquier momento sin previo aviso y sin incurrir en ningún tipo de obligación. No se permite la reproducción de ninguna parte de esta publicación sin permiso por escrito.


Este manual debe considerarse como una parte permanente del motor y debe permanecer con el motor en caso de reventa.

Revise las instrucciones suministradas con el equipo que funcionará con este motor para encontrar información adicional sobre la puesta en marcha del motor, parada, operación, ajustes, o instrucciones especiales para el mantenimiento.

Estados Unidos, Puerto Rico, e Islas Vírgenes Estadounidenses: Le aconsejamos que lea el contrato de garantía para que comprenda su alcance y sus responsabilidades de propiedad. El contrato de garantía es un documento independiente que le habrá entregado su concesionario.

MENSAJES DE SEGURIDAD

Su seguridad y la de los demás son muy importantes. Hemos incluido mensajes de seguridad importantes en este manual y en el motor. Lea detenidamente estos mensajes.

Un mensaje de seguridad le avisa sobre los peligros potenciales que podrían causarle lesiones a usted y a los demás. Cada mensaje de seguridad viene precedido por un símbolo de alerta de seguridad  y una de las tres palabras, PELIGRO, ADVERTENCIA o PRECAUCIÓN.

El significado de estas palabras clave es:

PELIGRO

MUERTE o LESIONES GRAVES SEGURAS en caso de no seguir las instrucciones.

ADVERTENCIA

POSIBILIDAD de MUERTE o de LESIONES GRAVES en caso de no seguir las instrucciones.

PRECAUCIÓN

POSIBILIDAD de LESIONES en caso de no seguir las instrucciones.

Cada mensaje le explica en qué consiste el peligro, lo que puede suceder, y lo que usted debe hacer para evitar las heridas o para reducirlas.

MENSAJES PARA PREVENCIÓN DE DAÑOS

Encontrará también otros mensajes importantes que vienen precedidos por la palabra AVISO.

Esta palabra significa:

AVISO

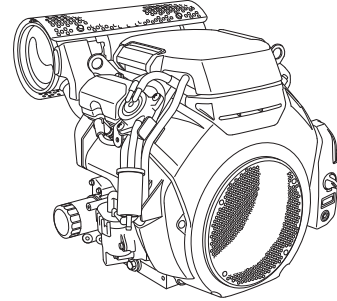
Pueden producirse daños en el motor, en la propiedad de terceras personas o en el medio ambiente si no sigue las instrucciones.

Todo este manual contiene información de seguridad importante; léalo con atención.

HONDA

MANUAL DEL PROPIETARIO

iGX700 • iGX800



ADVERTENCIA:

Los gases de escape de este producto contienen agentes químicos que, según el Estado de California, causan cáncer, defectos de nacimiento u otros efectos perjudiciales reproductivos.

ESPAÑOL

CONTENIDO

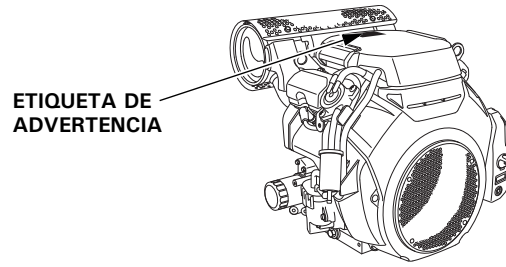
INTRODUCCIÓN.....	1	BUJÍA	10
MENSAJES DE SEGURIDAD	1	PARACHISPAS.....	10
INFORMACIÓN DE SEGURIDAD... 2		SUGERENCIAS Y OBSERVACIONES DE UTILIDAD.....	11
SITUACIÓN DE LAS ETIQUETAS DE SEGURIDAD	2	ALMACENAJE DEL MOTOR... 11	
SITUACIONES DE LOS COMPONENTES Y CONTROLES... 3		TRANSPORTE	12
CARACTERÍSTICAS.....	3	CUIDADOS PARA PROBLEMAS INESPERADOS	12
COMPROBACIONES PREVIAS A LA OPERACIÓN	4	REEMPLAZO DEL FUSIBLE... 13	
OPERACIÓN	4	INFORMACIÓN TÉCNICA	13
PRECAUCIONES DE SEGURIDAD DURANTE LA OPERACIÓN	4	Situación del número de serie.....	13
ARRANQUE DEL MOTOR	5	Conexiones de la batería para el motor de arranque eléctrico	14
PARADA DEL MOTOR	5	Información del sistema de control de las emisiones de escape	14
AJUSTE DE LA VELOCIDAD DEL MOTOR.....	6	Índice de aire	15
SERVICIO DE SU MOTOR.....	6	Especificaciones	16
LA IMPORTANCIA DEL MANTENIMIENTO	6	Especificaciones de puesta a punto	16
SEGURIDAD DEL MANTENIMIENTO	6	Información de referencia rápida	16
PRECAUCIONES DE SEGURIDAD	7	Diagramas de conexiones ...	17
PROGRAMA DE MANTENIMIENTO	7	INFORMACIÓN DEL CONSUMIDOR	18
PARA REPOSTAR.....	7	Garantía e información para encontrar distribuidores/ concesionarios	18
Combustible recomendado... 7		Información de servicio para clientes	18
ACEITE DE MOTOR	8		
Aceite recomendado	8		
Comprobación del nivel de aceite	8		
Cambio del aceite.....	8		
FILTRO DE AIRE.....	9		
Inspección.....	9		
Limpieza	9		

INFORMACIÓN DE SEGURIDAD

- Comprenda el funcionamiento de todos los controles y aprenda a parar con rapidez el motor en un caso de emergencia. Asegúrese de que el operador haya recibido una instrucción adecuada antes de operar el equipo.
- No permita que los niños operen el motor. Mantenga a los niños y animales apartados del lugar de operación.
- Los gases de escape del motor contienen monóxido de carbono que es venenoso.
No ponga en marcha el motor si no hay una ventilación adecuada, y no ponga nunca en marcha el motor en un lugar cerrado.
- El motor y el sistema de escape se calientan mucho durante la operación.
Mantenga el motor por lo menos a 1 metro de distancia de edificios y de otros equipos durante la operación. Mantenga apartados los materiales inflamables, y no ponga nada sobre el motor mientras esté en marcha.

SITUACIÓN DE LAS ETIQUETAS DE SEGURIDAD

Esta etiqueta le avisa sobre peligros potenciales que pueden ocasionar heridas graves. Léala con atención. Si la etiqueta se despegó o si resulta difícil de leer, pida una nueva en su concesionario de servicio.



ETIQUETA DE ADVERTENCIA	Para UE	Excepto UE
	colocada en el producto	suministrada con el producto
<p>⚠ WARNING Gasoline is highly flammable and explosive. Turn engine off and let cool before refueling. The engine emits toxic carbon monoxide. Do not run in an enclosed area. Read Owner's Manual before operation.</p>	suministrada con el producto	colocada en el producto
<p>⚠ ATTENTION L'essence est très inflammable et explosive. Arrêter le moteur et le laisser refroidir avant de faire le plein d'essence. Le moteur produit les vapeurs nocives de monoxyde de carbone. Ne pas utiliser dans un local clos. Lire le manuel de propriétaire avant l'utilisation.</p>	suministrada con el producto	suministrada con el producto

Equipado en fábrica Honda con un silenciador.

ETIQUETA DE PRECAUCIÓN DEL SILENCIADOR	
	no incluido
<p>⚠ CAUTION HOT MUFFLER CAN BURN YOU. Stay away if engine has been running.</p>	suministrada con el producto
<p>⚠ ATTENTION L'ÉCHAPPEMENT CHAUD PEUT VOUS BRÛLER. S'ÉLOIGNER QUAND LE MOTEUR FONCTIONNE.</p>	suministrada con el producto



La gasolina es muy inflamable y explosiva. Pare el motor y espere a que se enfríe antes de repostar.



El motor emite gas monóxido de carbono que es tóxico y venenoso. No lo tenga en marcha en un lugar cerrado.

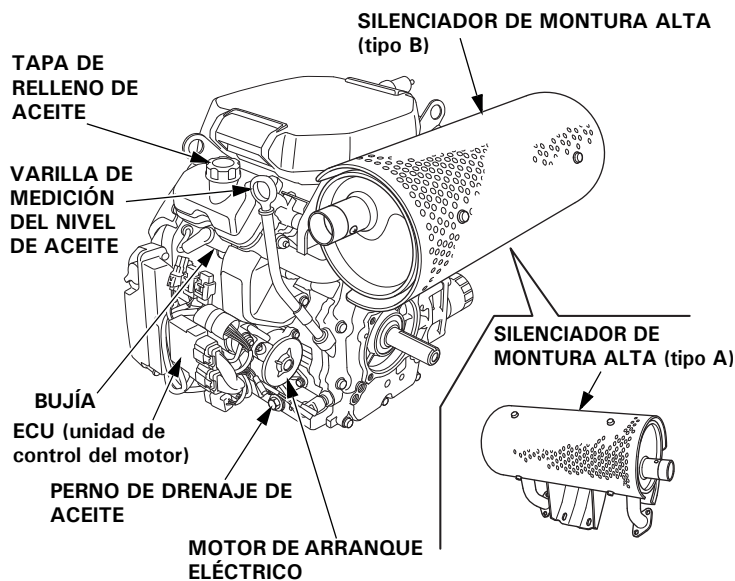
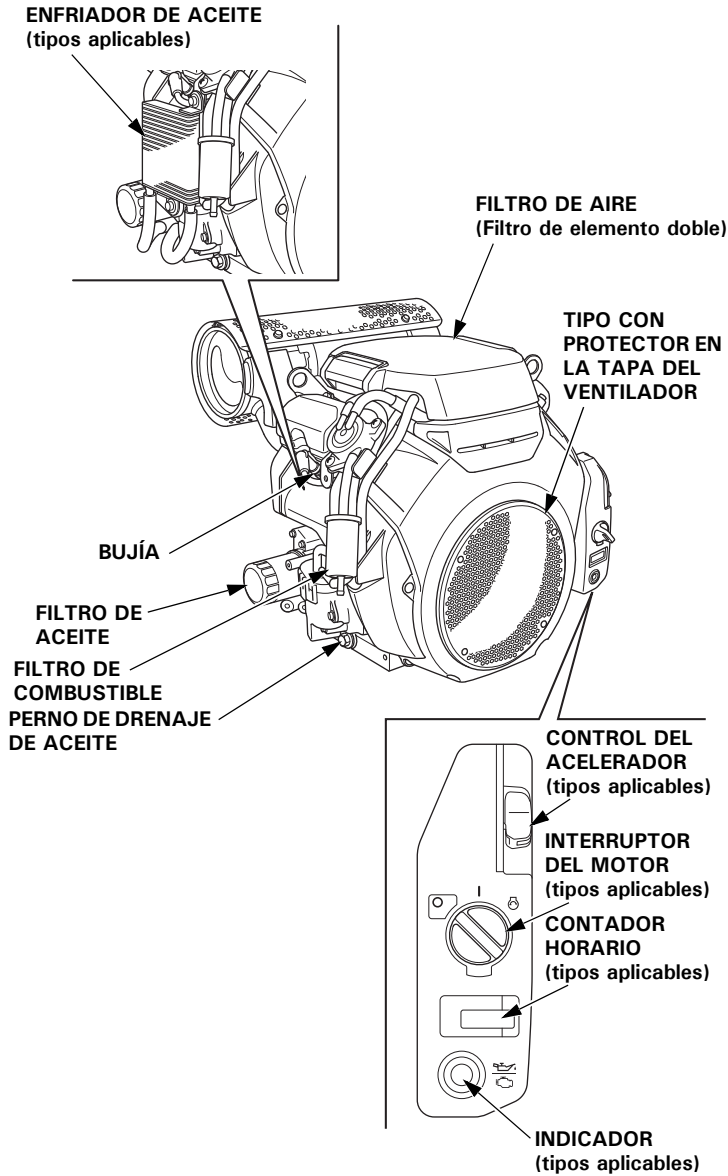


Lea el Manual del propietario antes de la operación.



El silenciador caliente puede causarle quemaduras. Permanezca alejado si el motor ha estado en funcionamiento.

SITUACIONES DE LOS COMPONENTES Y CONTROLES



CARACTERÍSTICAS

Sistema de alerta Oil Alert® (tipos aplicables)

"Oil Alert es una marca comercial registrada en los Estados Unidos"

El sistema de alerta de aceite Oil Alert está diseñado para evitar daños en el motor causados por una cantidad insuficiente de aceite en el cárter. Antes de que el nivel del aceite que hay en el cárter pueda caer por debajo de un límite de seguridad, se enciende el indicador (rojo) y el sistema Oil Alert para automáticamente el motor (el interruptor del motor queda en la posición ON).

Si el motor se para y no vuelve a arrancar, compruebe el nivel del aceite de motor, (vea la página 8) antes de realizar la localización y reparación de averías en otras partes.

Sistema FI (inyección de combustible)

El sistema FI utiliza inyección de combustible. Consta de tres sistemas secundarios: entrada de aire, control del motor y control de combustible. La ECU (unidad de control del motor) emplea varios sensores para determinar la cantidad de aire que entra en el motor. A continuación, controla la cantidad de combustible que debe inyectarse en todas las condiciones de funcionamiento.

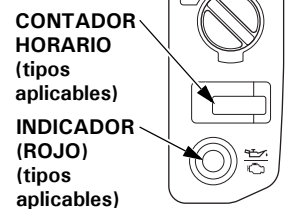
Si el indicador parpadea (en rojo) una sola vez, es posible que el sistema eléctrico tenga problemas con su voltaje; compruebe el voltaje de la batería.

Si no hay ningún problema con el voltaje o si el indicador parpadea (en rojo) dos o más veces, es posible que el sistema de inyección de combustible tenga algún problema grave. Lleve el motor al concesionario de servicio.

Contador de horas (tipos aplicables)

Después de arrancar el motor, se contará el tiempo transcurrido de operación del motor.

No contará el tiempo transcurrido de operación del motor con sólo girar el interruptor del motor a la posición ON.



COMPROBACIONES PREVIAS A LA OPERACIÓN | OPERACIÓN

¿ESTÁ PREPARADO EL MOTOR PARA FUNCIONAR?

Por su propia seguridad, para asegurar el cumplimiento de las regulaciones medioambientales y para maximizar la vida de servicio de su equipo, es muy importante emplear un poco de tiempo para comprobar el estado del motor antes de ponerlo en funcionamiento. Antes de poner en marcha el motor, deberá asegurarse de haber solucionado cualquier problema encontrado, o de solicitar a su concesionario de servicio que lo solucione.

ADVERTENCIA

Si no se realiza un mantenimiento correcto de este motor, o si no se corrige un problema antes de la operación, se puede producir una avería importante.

Algunos funcionamientos incorrectos pueden provocar lesiones graves o incluso la muerte.

Antes de cada operación, efectúe siempre la inspección previa a la operación y solucione los problemas encontrados.

Antes de comenzar las comprobaciones previas a la operación, asegúrese de que el motor esté nivelado y que el interruptor del motor esté en la posición OFF.

Compruebe siempre los elementos siguientes antes de poner en marcha el motor:

Comprobación del estado general del motor

1. Antes de cada utilización, mire en torno al motor y debajo de este para ver si hay indicios de fugas de aceite o de gasolina.
2. Extraiga el polvo o la suciedad excesiva, especialmente en torno al silenciador.
3. Busque si hay indicios de daños.
4. Compruebe que todos los protectores y cubiertas estén en su lugar, y que todas las tuercas, pernos, y tornillos estén apretados.

Comprobación del motor

1. Compruebe el nivel de combustible. Si comienza el trabajo con el depósito lleno, le ayudará a eliminar o reducir las interrupciones de la operación para repostar.
2. Compruebe el nivel del aceite de motor (vea la página 8). El motor puede dañarse si se utiliza con un nivel bajo de aceite.

El sistema de alerta de aceite Oil Alert (tipos aplicables) parará automáticamente el motor antes de que el nivel de aceite caiga por debajo de los límites de seguridad. Sin embargo, para evitar la inconveniencia de una parada inesperada, compruebe siempre el nivel de aceite de motor antes de empezar.

3. Compruebe el elemento del filtro de aire (vea la página 9). Un elemento del filtro de aire sucio restringirá el flujo de aire al sistema de inyección de combustible, reduciendo el rendimiento del motor.
4. Compruebe el equipo que deba funcionar con este motor.

Revise las instrucciones proporcionadas con el equipo que deba funcionar con este motor para ver si hay precauciones y procedimientos que deban seguirse antes de poner en marcha el motor.

PRECAUCIONES DE SEGURIDAD DURANTE LA OPERACIÓN

Antes de poner en marcha el motor por primera vez, revise la sección *INFORMACIÓN DE SEGURIDAD* en la página 2 y *COMPROBACIONES PREVIAS A LA OPERACIÓN* en la página 4.

Peligros del monóxido de carbono

Por su propia seguridad, no opere el motor en lugares cerrados como por ejemplo dentro de un garaje. Los gases de escape del motor contienen monóxido de carbono que es un gas que se acumula con rapidez en lugares cerrados y que causa mal estar o incluso la muerte.

ADVERTENCIA

Los gases de escape contienen gas venenoso de monóxido de carbono que puede acumularse hasta niveles peligrosos en lugares cerrados.

Si aspira monóxido de carbono correrá el peligro de pérdida del sentido o de muerte.

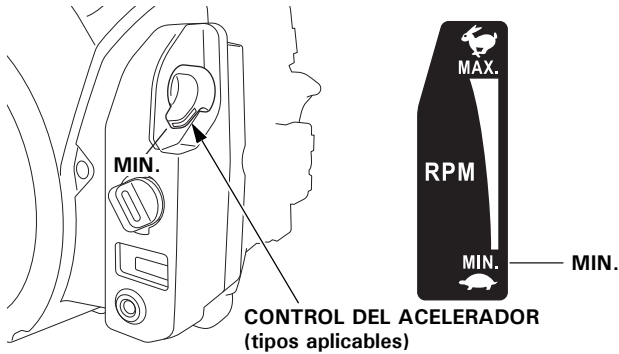
No ponga nunca en marcha el motor en un lugar cerrado ni parcialmente cerrado.

Revise las instrucciones proporcionadas con el equipo que deba funcionar con este motor para ver si hay precauciones de seguridad que deban observarse para poner en marcha, parar, u operar el motor.

No opere el motor en cuestas superiores a 20° (36%).

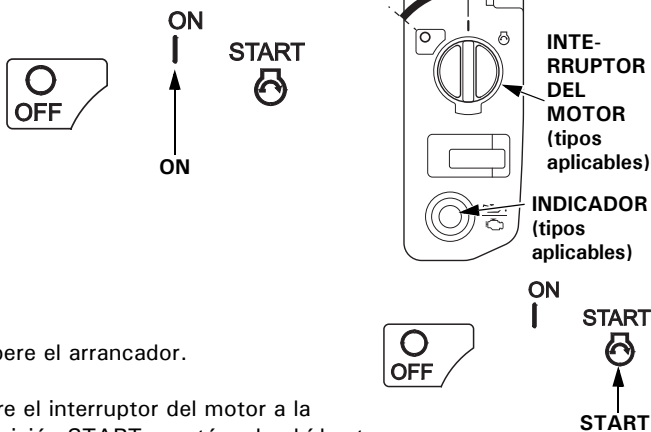
ARRANQUE DEL MOTOR

1. Si el depósito de combustible está equipado con una válvula, asegúrese de que la válvula de combustible esté en la posición OPEN u ON antes de intentar poner en marcha el motor.
2. Mueva el control del acelerador a la posición MIN.



Algunas aplicaciones del motor emplean un control del acelerador montado a distancia en lugar del control del acelerador montado en el motor aquí mostrado. Por otro lado, existen algunas aplicaciones que fijan la velocidad del motor. Consulte las instrucciones suministradas por el fabricante del equipo.

3. Gire el interruptor del motor a la posición ON; el indicador (rojo) se enciende y se apaga (comprobación de la lámpara).



4. Opere el arrancador.

Gire el interruptor del motor a la posición START, y reténgalo ahí hasta que se ponga en marcha el motor.

Si el motor no se pone en marcha antes de 5 segundos, suelte el interruptor del motor, y espere 10 segundos por lo menos antes de volver a operar el motor de arranque.

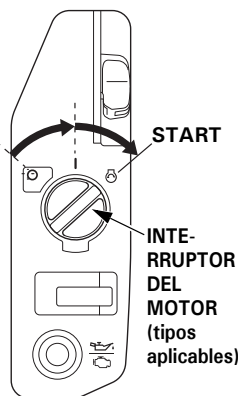
AVISO

Si se utiliza el motor de arranque eléctrico durante más de 5 segundos seguidos, el motor de arranque se sobrecalentará y puede averiarse.

Cuando el motor se ponga en marcha, suelte el interruptor del motor, dejándolo que retorne a la posición ON.

Compruebe que el indicador esté apagado (consulte la página 3).

5. Caliente el motor durante 2 ó 3 minutos.

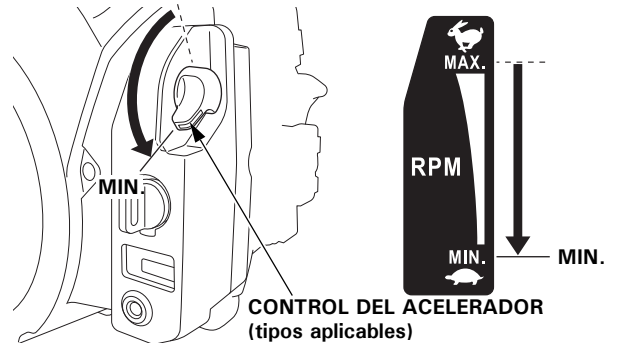


PARADA DEL MOTOR

Para parar el motor en un caso de emergencia, simplemente gire el interruptor del motor a la posición OFF. En situaciones normales, emplee el procedimiento siguiente. Consulte las instrucciones suministradas por el fabricante del equipo.

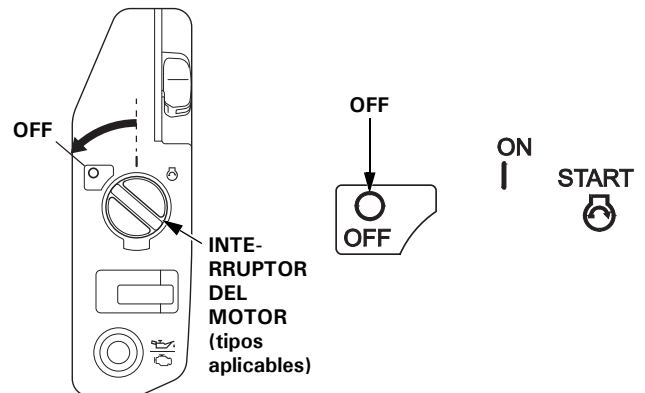
1. Mueva el control del acelerador a la posición MIN.

Algunas aplicaciones del motor emplean un control del acelerador montado a distancia en lugar del control del acelerador montado en el motor aquí mostrado. Por otro lado, existen algunas aplicaciones que fijan la velocidad del motor.



2. Gire el interruptor del motor a la posición OFF.

Aunque es posible que se escuche ruido de funcionamiento del motor, no se trata de una avería.



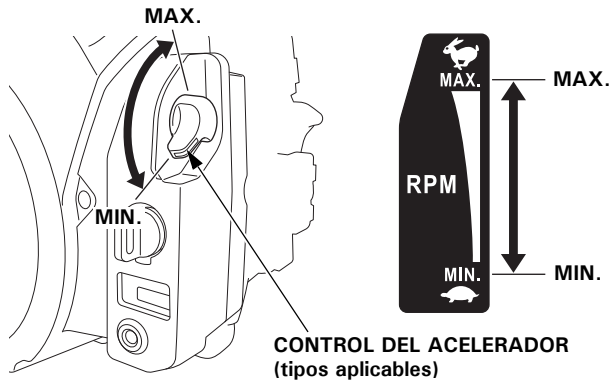
3. Si el depósito de combustible está equipado con una válvula, gire la válvula de combustible a la posición CLOSED u OFF.

AJUSTE DE LA VELOCIDAD DEL MOTOR

Coloque el control del acelerador en la velocidad deseada del motor.

Algunas aplicaciones del motor emplean un control del acelerador montado a distancia en lugar del control del acelerador montado en el motor aquí mostrado. Por otro lado, existen algunas aplicaciones que fijan la velocidad del motor. Consulte las instrucciones suministradas por el fabricante del equipo.

Para ver las recomendaciones de la velocidad del motor, consulte el manual de instrucciones suministrado con el equipo que deba funcionar con este motor.



No desconecte la batería del motor mientras el motor está en marcha. Si se desconecta la batería, se detendrá el motor.

SERVICIO DE SU MOTOR

LA IMPORTANCIA DEL MANTENIMIENTO

El buen mantenimiento es esencial para conseguir una operación segura, económica, y exenta de problemas. Ayudará también a reducir la contaminación.

⚠ ADVERTENCIA

Si no se realiza un mantenimiento correcto de este motor, o si no se corrige un problema antes de la operación, se puede producir una avería importante.

Algunos funcionamientos incorrectos pueden provocar lesiones graves o incluso la muerte.

Siga siempre las recomendaciones de inspección y mantenimiento y los programas de este manual del propietario.

Para ayudarle a cuidar adecuadamente el motor, las páginas siguientes incluyen un programa de mantenimiento, procedimientos de inspección rutinarios, y simple procedimientos de mantenimiento empleando herramientas manuales básicas. Las otras tareas de servicio que son más difíciles, o que requieren herramientas especiales, es mejor que sean realizadas por profesionales y normalmente las lleva a cabo un mecánico de Honda u otro mecánico cualificado.

El programa de mantenimiento se aplica a las condiciones normales de operación. Si opera el motor en condiciones severas, tales como con una carga elevada continua o a altas temperaturas, o si lo utiliza en condiciones con mucha humedad o polvo, consulte a su concesionario de servicio para que le proporcione las recomendaciones aplicables a sus necesidades y aplicaciones individuales.

El mantenimiento, reemplazo o reparación de los dispositivos y sistemas de control de las emisiones de escape pueden efectuarse en cualquier establecimiento de reparaciones de motores o por cualquier individuo, empleando partes que estén "homologadas" según las normas EPA.

SEGURIDAD DEL MANTENIMIENTO

A continuación se mencionan algunas de las precauciones de seguridad más importantes. No obstante, no podemos avisarle sobre todos los peligros concebibles que pueden surgir al realizar el mantenimiento. Solamente usted puede decidir si debe realizar un trabajo determinado.

⚠ ADVERTENCIA

El mantenimiento inadecuado puede provocar una falta de seguridad.

Si no sigue correctamente las instrucciones y precauciones para el mantenimiento, correrá el peligro de sufrir heridas graves o incluso la muerte.

Siga siempre con cuidado los procedimientos y precauciones de este manual del propietario.

PRECAUCIONES DE SEGURIDAD

- Asegúrese de que el motor esté desconectado antes de comenzar cualquier trabajo de mantenimiento o de reparación. Para evitar el arranque accidental, desconecte la tapa de la bujía. De este modo eliminará muchos peligros potenciales:
 - **Envenenamiento por monóxido de carbono del escape del motor.** Accionar en exteriores alejados de ventanas o puertas abiertas.
 - **Quemaduras por piezas calientes.** Espere a que se enfríen el motor y el sistema de escape antes de tocarlos.
 - **Daños debidos a las piezas en movimiento.** No ponga en marcha el motor a menos que se lo indiquen las instrucciones.
- Lea las instrucciones antes de empezar, y asegúrese de disponer de las herramientas y conocimientos necesarios.
- Para reducir la posibilidad de incendio o explosión, tenga cuidado cuando trabaje cerca de gasolina. Emplee sólo solventes ininflamables, y no emplee gasolina, para limpiar las partes. Mantenga apartados los cigarrillos, las chispas y el fuego de las partes relacionadas con el combustible.

Recuerde que su concesionario de servicio autorizado Honda es quien mejor conoce su motor y que está completamente equipado para su mantenimiento y reparación.

Para asegurar la mejor calidad y fiabilidad, emplee sólo partes nuevas originales Honda Genuine o sus equivalentes para las reparaciones y reemplazos.

PROGRAMA DE MANTENIMIENTO

PERIODOS REGULARES DE SERVICIO (1) Realizar cada mes indicado o intervalo de horas de funcionamiento, lo que antes se cumpla.		Cada uso	Primer mes o 20 Hrs	Cada 6 meses o 100 Hrs	Cada año o 300 Hrs	Cada 2 años o 500 Hrs	Consultar la página
ELEMENTO							
Aceite del motor	Comprobar nivel	o					8
	Cambiar		o	o			8
Filtro del aceite del motor	Sustituir	Cada 200 Hrs.(4)					—
Filtro de aire	Comprobar	o					9
	Limpiar			o (2)			9
	Sustituir					o*	
Enfriador de aceite (tipos aplicables)	Comprobar	o (3)					—
Bujía	Comprobar-ajustar			o			10
	Sustituir				o		
Parachispas (tipos aplicables)	Limpiar			o (5)			10
Holgura de las válvulas	Comprobar-ajustar				o (4)		—
Cámara de combustión	Limpiar	Cada 1000 Hrs. (4)					—
Filtro de combustible	Sustituir				o (4)		—
Tubo de combustible	Comprobar	Cada 2 años (sustituir si fuera necesario) (4)					—

* Reemplace sólo el elemento de papel del filtro.

- (1) Para aplicaciones comerciales, registre las horas de operación para poder determinar los intervalos adecuados de mantenimiento.
- (2) Realice el servicio con mayor frecuencia cuando lo utilice en zonas polvorrientas.
- (3) Limpie con regularidad las acumulaciones de hierba, suciedad u otros desechos.
- (4) El servicio de estas partes deberá realizarlo su concesionario de servicio, a menos que usted disponga de las herramientas adecuadas y posea suficientes conocimientos mecánicos. Para ver los procedimientos de servicio, consulte el manual de taller Honda.
- (5) En Europa y en los otros países en los cuales se aplica la Directiva "máquinas" 2006/42/CE, este servicio deberá realizarlo su concesionario de servicio.

Si no sigue este programa de mantenimiento pueden producirse fallas que no entran en la garantía.

PARA REPOSTAR

Combustible recomendado

Gasolina sin plomo	
EE.UU.	86 octanos de bomba o superior
Excepto EE.UU.	91 octanos de investigación o superior
	86 octanos de bomba o superior

Este motor está homologado para funcionar con gasolina sin plomo con un valor de octanos de bomba de 86 o más alto (un valor de octanos de investigación de 91 o más alto). Suministre el combustible en una zona bien ventilada con el motor parado. Si el motor ha estado funcionando, espere primero a que se enfríe. No reposte nunca el motor dentro de un edificio donde los gases de la gasolina pudieran llegar a fuegos o chispas. Podrá emplear gasolina sin plomo con un contenido máximo del 10% de etanol (E10) o del 5% de metanol por volumen. Adicionalmente, el metanol debe contener cosolventes e inhibidores contra la corrosión. El empleo de combustible con un contenido de etanol o de metanol mayor que el indicado arriba puede ocasionar problemas en el arranque y/o en el funcionamiento. También puede causar daños en las partes metálicas, de goma, y de plástico del sistema de combustible. Los daños del motor o los problemas de funcionamiento debidos al empleo de un combustible con porcentajes de etanol o metanol mayores que los indicados arriba no están cubiertos por la Garantía.

Si su equipo se utiliza con poca frecuencia o de forma intermitente, consulte la sección sobre el combustible del capítulo ALMACENAJE DEL MOTOR (vea la página 11) para encontrar más información sobre el deterioro del combustible.

⚠ ADVERTENCIA

La gasolina es muy inflamable y explosiva.

Correrá el peligro de quemaduras o de heridas graves al manipular el combustible.

- Pare el motor y espere a que se enfríe antes de manipular el combustible.
- Manténgase lejos del calor, las chispas y el fuego.
- Manipule el combustible solo en exteriores.
- Manténgase alejado de su vehículo.
- Limpie inmediatamente el líquido derramado.

AVISO

El combustible puede dañar la pintura y ciertos tipos de plástico. Tenga cuidado para que no se derrame combustible mientras llena el depósito de combustible. La garantía no cubre daños causados por el derrame de combustible. Garantía limitada del distribuidor.

No utilice nunca gasolina en mal estado, contaminada o mezclada con aceite. Evite la entrada de suciedad o agua en el depósito de combustible.

Con el motor parado y sobre una superficie nivelada, extraiga la tapa de relleno de combustible y compruebe el nivel del combustible. Llene el depósito de combustible si el nivel de combustible es bajo. Consulte las instrucciones que se sirven con el equipo operado con este moto para obtener información sobre el repostaje.

Llene el depósito en un lugar bien ventilado antes de poner en marcha el motor. Si el motor ha estado funcionando, espere a que se enfríe. Reposte con cuidado para que no se derrame combustible. Es posible que sea necesario reducir el nivel del combustible dependiendo de las condiciones de operación. Después de repostar, apriete la tapa del depósito de combustible con seguridad.

Mantenga la gasolina apartada de las luces piloto de los aparatos, barbacoas, aparatos eléctricos, herramientas eléctricas, etc.

El combustible derramado no sólo le hará correr el peligro de incendio, sino que además causa daños en el medio ambiente. Frote inmediatamente el líquido derramado.

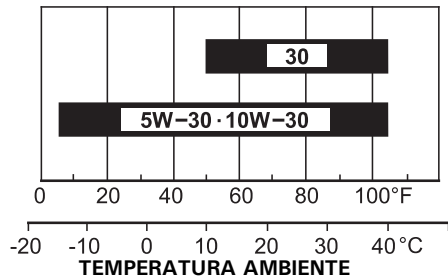
ACEITE DE MOTOR

El aceite es uno de los principales factores que afectan al rendimiento y a la vida útil.

Utilice aceite detergente para automóviles de 4 tiempos.

Aceite recomendado

Emplee aceite de motor de 4 tiempos que satisfaga o exceda los requisitos para la categoría de servicio API de SJ o posterior (o equivalente). Compruebe siempre la etiqueta de servicio API del recipiente de aceite para asegurarse que incluye las letras SJ o posterior (o equivalente).

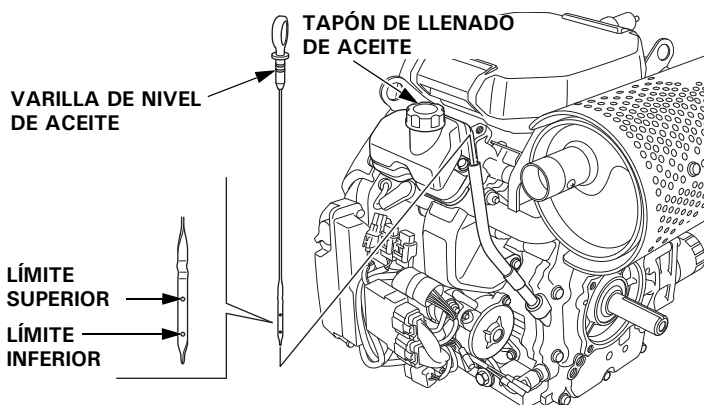


Se recomienda el SAE 10W-30 para aplicaciones generales. Las otras viscosidades mostradas en la gráfica pueden utilizarse cuando la temperatura media de su zona está dentro del margen indicado.

Comprobación del nivel de aceite

Compruebe el nivel del aceite de motor con el motor parado y en una posición nivelada.

1. Ponga en marcha el motor y déjelo al ralentí de 1 a 2 minutos. Pare el motor y espere de 2 a 3 minutos.
2. Extraiga la varilla de medición del nivel de aceite tirando de ella. Limpie la varilla de medición del nivel de aceite.
3. Inserte a fondo la varilla de medición del nivel de aceite, y extráigala para comprobar el nivel de aceite.
4. Si el nivel está cerca o por debajo de la marca del límite inferior de la varilla de medición del nivel, saque la tapa de relleno de aceite y añada aceite recomendado hasta la marca del límite superior. No llene excesivamente. Consulte el apartado "Aceite recomendado".
5. Inserte completamente la varilla de medición del nivel de aceite. Vuelva a instalar la tapa de relleno de aceite con seguridad.



AVISO

El motor puede dañarse si se utiliza con un nivel bajo de aceite. Este tipo de daños no está cubierto por la garantía limitada del distribuidor.

El sistema de alerta de aceite Oil Alert (tipos aplicables) parará automáticamente el motor antes de que el nivel de aceite caiga por debajo del límite de seguridad. Sin embargo, para evitar la inconveniencia de una parada inesperada, compruebe siempre el nivel de aceite de motor antes de empezar.

Cambio del aceite

Drene el aceite usado cuando el motor esté caliente. El aceite caliente se drena con más rapidez y por completo.

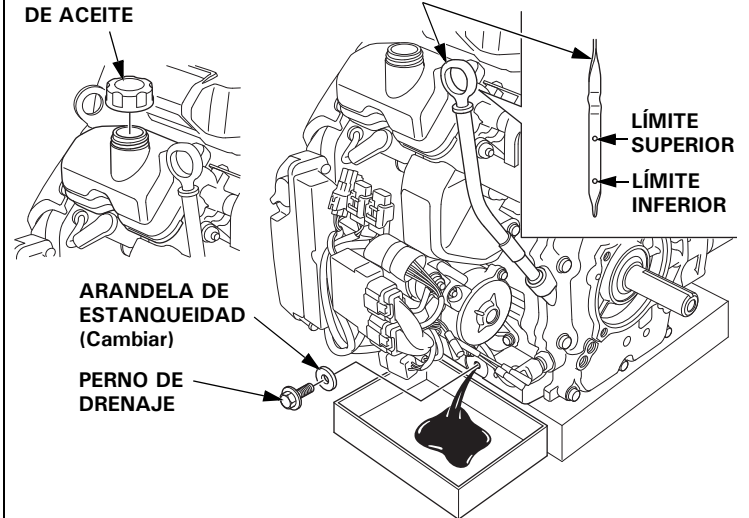
1. Ponga un recipiente adecuado debajo del motor para recibir el aceite usado, y extraiga entonces la tapa de relleno de aceite, el perno de drenaje y la arandela de sellado.
2. Deje que el aceite usado se drene por completo, y vuelva a instalar entonces el perno de drenaje y una arandela de sellado nueva, y apriete con seguridad el perno de drenaje.

PAR DE TORSIÓN: 45,0 N·m (4,5 kgf·m)

Tire el aceite de motor usado de manera que sea compatible con el medio ambiente. Le aconsejamos que lleve el aceite usado en un recipiente cerrado al centro de reciclaje de su localidad o a una gasolinera para que se encarguen de su eliminación. No lo tire a la basura, no lo derrame al suelo, ni lo vierta por una alcantarilla.

TAPA DE RELLENO DE ACEITE

VARILLA DE NIVEL DE ACEITE



3. Teniendo el motor en una posición nivelada, rellene aceite del recomendado hasta la marca del límite superior de la varilla de medición del nivel de aceite.

Capacidad del aceite del motor:

Sin reemplazo del filtro de aceite:

iGX700 : 1,5 L

iGX800 : 1,6 L

Con reemplazo del filtro de aceite:

iGX700 : 1,7 L

iGX800 : 1,8 L

AVISO

El motor puede dañarse si se utiliza con un nivel bajo de aceite. Este tipo de daños no está cubierto por la garantía limitada del distribuidor.

El sistema de alerta de aceite Oil Alert (tipos aplicables) parará automáticamente el motor antes de que el nivel de aceite caiga por debajo del límite de seguridad.

Sin embargo, para evitar la inconveniencia de una parada inesperada, llene hasta el límite superior, y compruebe con regularidad el nivel del aceite.

4. Vuelva a instalar con seguridad la tapa de relleno de aceite y la varilla de medición del nivel de aceite.

FILTRO DE AIRE

Un filtro de aire sucio restringirá el flujo de aire al sistema de inyección de combustible, reduciendo el rendimiento del motor. Si utiliza el motor en lugares muy polvorientos, limpie el filtro de aire con mayor frecuencia que la que se especifica en el PROGRAMA DE MANTENIMIENTO (vea la página 7).

AVISO

Si se pone en funcionamiento el motor sin el filtro de aire, o con un filtro de aire dañado, la suciedad se introducirá en el motor, ocasionando su rápido desgaste. Este tipo de daños no está cubierto por la garantía limitada del distribuidor.

Inspección

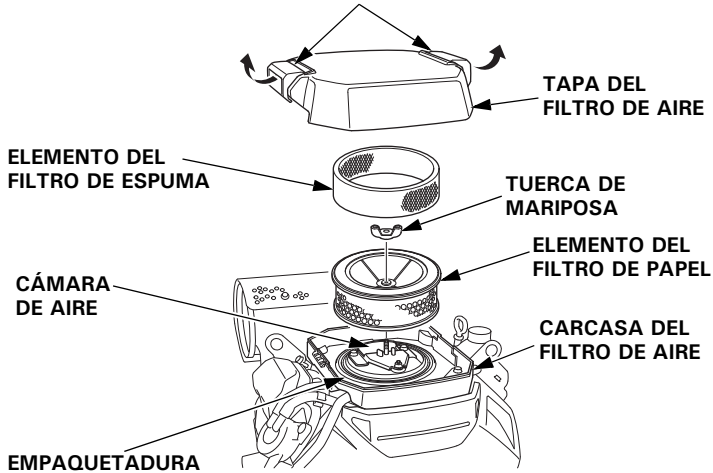
Extraiga la cubierta del filtro de aire e inspeccione los elementos del filtro.

Limpie o reemplace los elementos sucios del filtro. Reemplace siempre los elementos del filtro si están dañados.

Limpieza

1. Tire del enganche de la cubierta del filtro de aire hacia la posición de desbloqueo, y extraiga la cubierta.
2. Extraiga la tuerca de aletas del elemento de papel del filtro.
3. Extraiga el elemento de papel del filtro y el elemento de espuma del filtro de la caja del filtro de aire.
4. Extraiga el elemento de espuma del filtro del elemento de papel del filtro.

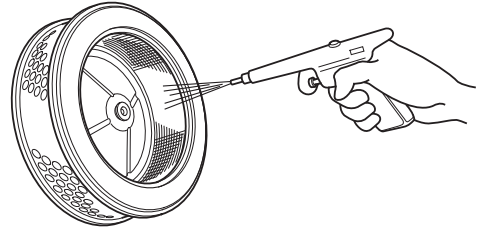
CIERRE DE LA TAPA DEL FILTRO DE AIRE



5. Inspeccione los dos elementos del filtro, y reemplácelos si están dañados. Reemplace siempre el elemento de papel del filtro a los intervalos programados (vea la página 7).

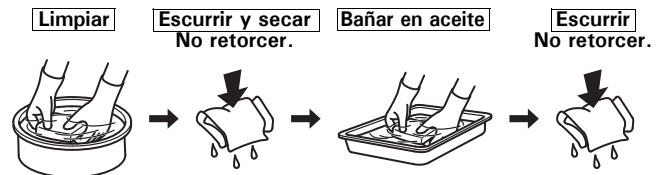
6. Limpie los elementos del filtro si debe volver a utilizarlos.

Elemento de papel del filtro: Golpee varias veces el elemento del filtro contra una superficie dura para sacar la suciedad, o sople aire comprimido [sin exceder 207 kPa, (2,1 kgf/cm²)] por el elemento del filtro desde el lado de la caja del filtro de aire.



No trate nunca de cepillar la suciedad; el cepillo forzaría la suciedad al interior de las fibras. Reemplace el elemento de papel del filtro si está demasiado sucio.

Elemento del filtro de espuma: Límpielo en agua tibia con jabón, aclárelo y espere a que se seque por completo. También podrá limpiarlo en solvente ininflamable y dejarlo secar. Sumerja el elemento del filtro en aceite de motor limpio, y exprima entonces todo el aceite excesivo. Si se deja demasiado aceite en la espuma, el motor producirá humo cuando se arranque.



7. Frote la suciedad desde el interior del cuerpo del filtro de aire y la cubierta, empleando un paño humedecido. Tenga cuidado para evitar que la suciedad se introduzca en la cámara de aire que va al sistema de inyección de combustible.
8. Ponga el elemento de espuma del filtro sobre el elemento de papel del filtro, y vuelva a instalar el elemento del filtro montado. Asegúrese de que la empaquetadura esté en su lugar de debajo del elemento del filtro. Apriete con seguridad la tuerca de aletas.
9. Bloquee con seguridad el enganche de la cubierta del filtro de aire.

BUJÍA

Bujía recomendada: BPR5ES (NGK)

La bujía recomendada tiene el margen térmico correcto para las temperaturas normales de operación del motor.

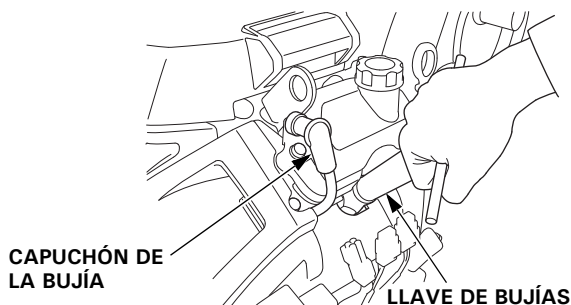
AVISO

Las bujías incorrectas pueden causar daños en el motor.

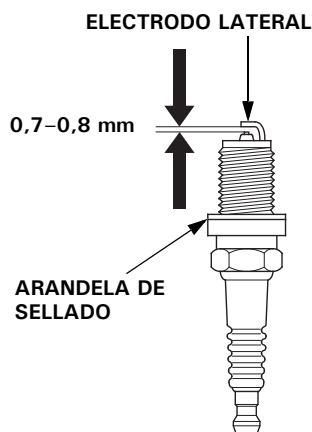
Si el motor ha estado funcionando, espere a que se enfríe antes de realizar el servicio de las bujías.

Para obtener un buen rendimiento, el huelgo de los electrodos de las bujías deberá ser correcto y no deberá haber carbonilla acumulada.

1. Desconecte las tapas de las bujías, y saque la suciedad que pudiera haber en torno al área de las bujías.
2. Extraiga las bujías con una llave para bujías de 13/16 pulgadas.



3. Inspeccione las bujías. Reemplácelas si están dañadas, muy sucias, si la arandela de sellado está en mal estado, o si el electrodo está gastado.
4. Mida el huelgo del electrodo de las bujías con un calibre de espesores del tipo de alambre. Corrija según sea necesario doblando el electrodo lateral. La holgura debe ser: 0,7-0,8 mm



5. Instale con cuidado la bujía, con la mano, para evitar que se dañen las roscas.
6. Después de haberse asentado la bujía, apriétela con una llave de bujías de 13/16 pulgadas para comprimir la arandela de sellado.

Cuando instale una bujía nueva, apriétela 1/2 de vuelta después de haberse asentado la bujía para comprimir la arandela.

Cuando vuelva a instalar una bujía usada, apriétela entre 1/8-1/4 de vuelta, después de que se asiente, para comprimir la arandela.

PAR DE TORSIÓN: 18,0 N·m (1,8 kgf·m)

AVISO

Una bujía floja puede causar sobrecalentamiento y daños en el motor. El apriete excesivo de la bujía puede dañar las roscas de la culata de cilindros.

7. Instale las tapas de las bujías en las bujías.

PARACHISPAS (tipos aplicables)

En Europa y en los otros países en los cuales se aplica la Directiva "máquinas" 2006/42/CE, esta limpieza deberá realizarla su concesionario de servicio.

Su motor no se ha equipado en fábrica con un parachispas. El parachispas es una parte opcional. En algunas áreas, es ilegal operar un motor sin un parachispas. Verifique las leyes y regulaciones locales. Los concesionarios de servicio autorizados Honda tienen disponibles parachispas.

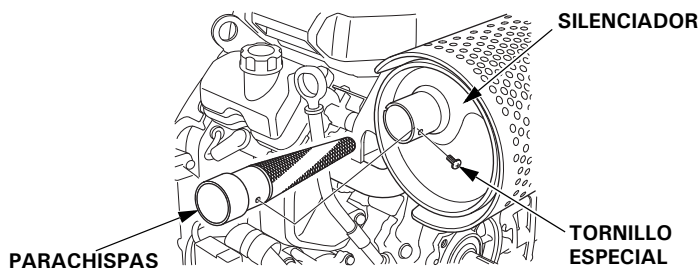
El servicio del parachispas debe realizarse cada 100 horas para que pueda seguir funcionando como ha sido diseñado.

Si el motor había estado en marcha, el silenciador estará caliente. Deje que se enfríe antes de realizar el servicio del parachispas.

Inspección y limpieza del parachispas

1. Extraiga el parachispas:

Extraiga el tornillo especial del silenciador y extraiga el parachispas.



2. Emplee un cepillo para sacar la carbonilla acumulada en la rejilla del parachispas. Tenga cuidado para no dañar la rejilla.

El parachispas deberá estar exento de roturas y agujeros. Reemplace el parachispas si está dañado.



3. Instale el parachispas y el protector del silenciador en el orden inverso al del desmontaje.

SUGERENCIAS Y OBSERVACIONES DE UTILIDAD

ALMACENAJE DEL MOTOR

Preparativos para el almacenaje

Los preparativos adecuados para el almacenaje son esenciales para mantener el motor exento de problemas y con buena apariencia exterior. Los pasos siguientes ayudarán a evitar que la oxidación y la corrosión afecten el funcionamiento y el aspecto exterior del motor, y facilitarán el arranque del motor cuando lo vuelva a utilizar.

Limpieza

Si el motor ha estado en marcha, espere a que se enfríe por lo menos media hora antes de efectuar la limpieza. Limpie todas las superficies exteriores, retoque cualquier parte dañada con pintura, y revista las otras partes que puedan oxidarse con una capa fina de aceite.

AVISO

Si se emplea una manguera de jardín o un equipo de lavado a presión, el agua puede forzarse al interior del filtro de aire o a la abertura del silenciador. Al agua dentro del filtro de aire mojará el filtro de aire, y el agua que pasa por el filtro de aire o el silenciador puede introducirse en el cilindro, y ocasionar daños.

Combustible

AVISO

Dependiendo de la zona donde se proponga utilizar el equipo, las fórmulas del combustible pueden deteriorarse y oxidarse con rapidez. La oxidación y el deterioro del combustible pueden darse en apenas 30 días, y es posible que causen daños en el sistema de inyección de combustible. Consulte las recomendaciones sobre el almacenaje local solicitando asistencia a su concesionario de servicio.

La gasolina se oxida y deteriora durante el almacenaje. La gasolina deteriorada dificulta el arranque, y deja acumulaciones de suciedad que obstruyen el sistema de inyección de combustible. Si se deteriora la gasolina del motor durante el almacenaje, es posible que tenga que solicitar el servicio o el reemplazo de los componentes del sistema de inyección de combustible.

El período de tiempo en el que la gasolina puede permanecer en el depósito de combustible sin causar problemas funcionales dependerá de diversos factores, como la mezcla de gasolina, la temperatura de almacenamiento y el nivel de carburante presente en el depósito. El aire dentro de un depósito de combustible parcialmente lleno deteriora el combustible. Las temperaturas de almacenamiento muy cálidas aceleran el deterioro del combustible. Los problemas de deterioro del combustible suelen ocurrir después de pocos meses, o incluso menos si la gasolina no era nueva cuando se llenó el depósito de combustible.

Los daños del sistema de inyección de combustible o los problemas de rendimiento del motor debidos a unos preparativos inadecuados para el almacenaje no están cubiertos por la *garantía limitada del distribuidor*.

Podrá extender la duración de almacenaje del combustible añadiendo un estabilizador de gasolina que esté formulado para este propósito, o podrá evitar los problemas del deterioro del combustible drenando el depósito de combustible.

Adición de un estabilizador de gasolina para extender la duración de almacenaje del combustible

Cuando añada un estabilizador de gasolina, llene el depósito de combustible con gasolina nueva. Si sólo lo llena parcialmente, el aire que quede en el depósito acelerará el deterioro durante el almacenaje. Si conserva un recipiente de gasolina para repostar, asegúrese de que sólo contenga gasolina nueva.

1. Añada el estabilizador de gasolina siguiendo las instrucciones del fabricante.
2. Después de añadir un estabilizador de gasolina, haga funcionar el motor al aire libre.
3. Pare el motor, y si el depósito de combustible está equipado con una válvula de combustible, mueva la válvula de combustible a la posición CLOSED u OFF.

Drenar el depósito de combustible

⚠ ADVERTENCIA

La gasolina es muy inflamable y explosiva.

Correrá el peligro de quemaduras o de heridas graves al manipular el combustible.

- Pare el motor y espere a que se enfríe antes de manipular el combustible.
- Manténgase lejos del calor, las chispas y el fuego.
- Manipule el combustible solo en exteriores.
- Manténgase alejado de su vehículo.
- Limpie inmediatamente el líquido derramado.

1. Desconecte la línea de combustible que va al motor, y drene el depósito de combustible en un recipiente homologado para gasolina. Si el depósito de combustible está equipado con una válvula, gire la válvula de combustible a la posición OPEN u ON para poder efectuar el drenaje. Después de haber completado el drenaje, vuelva a conectar la línea de combustible.

2. Para drenar totalmente el sistema de inyección de combustible, arranque el motor (consulte la página 5) y deje el motor funcionando hasta que se pare.

3. Cuando el motor se pare, mueva el interruptor del motor a la posición OFF.

Si deja el interruptor del motor en la posición ON, la batería se descargará.

4. Si el depósito de combustible está equipado con una válvula, gire la válvula de combustible a la posición CLOSED u OFF.

Aceite de motor

1. Cambie el aceite de motor (vea la página 8).

2. Extraiga las bujías (vea la página 10).

3. Introduzca 5–10 cm³ (5–10 cc, 1–2 cucharaditas) de aceite de motor limpio en cada cilindro.

4. Vire el motor durante algunos segundos girando el interruptor del motor a la posición START para distribuir el aceite por los cilindros.

5. Vuelva a instalar las bujías.

Precauciones para el almacenaje

Si el motor debe almacenarse con gasolina en el depósito de combustible, es importante reducir el peligro de que se enciendan los gases de la gasolina. Seleccione un lugar de almacenaje bien ventilado apartado de todos los aparatos que funcionen con fuego, como puedan ser los hornos, calentadores de agua, o secadoras para la ropa. Evite también los lugares con motores eléctricos que produzcan chispas, o donde se utilicen herramientas eléctricas.

Si es posible, evite los lugares de almacenaje con mucha humedad, porque aceleran la oxidación y la corrosión.

Mantenga el motor nivelado durante el almacenaje. La inclinación podría ocasionar fugas de combustible o de aceite.

A menos que se haya drenado todo el combustible del depósito de combustible, deje la válvula de combustible en la posición CLOSED u OFF para reducir la posibilidad de fugas de combustible.

Cuando el motor y el sistema de escape estén fríos, cubra el motor para protegerlo contra el polvo. Si el motor y el sistema de escape están calientes pueden hacer que se enciendan o derritan algunos materiales. No emplee una lámina de plástico como cubierta contra el polvo.

Una cubierta que no sea porosa no dejará escapar la humedad en torno al motor, acelerando la oxidación y la corrosión.

Si está instalada la batería, extráigala y guárdela en un lugar fresco y seco. Recargue la batería una vez al mes mientras el motor esté en almacenaje. De este modo ayudará a prolongar la vida de servicio de la batería.

Salida del almacenaje

Compruebe el motor como se describe en la sección de *COMPROBACIONES PREVIAS A LA OPERACIÓN* de este manual (vea la página 4).

Si se había drenado el combustible durante los preparativos para el almacenaje, llene el depósito con gasolina nueva. Si conserva un recipiente de gasolina para repostar, asegúrese de que sólo contenga gasolina nueva. La gasolina se oxida y deteriora con el tiempo, dificultando el arranque.

Si se habían revestido los cilindros con aceite durante los preparativos para el almacenaje, es posible que el motor produzca un poco de humo al principio. Esto es normal.

TRANSPORTE

Si el motor ha estado en marcha, espere como mínimo 15 minutos a que se enfríe antes de cargar el equipo motorizado en el vehículo de transporte. Si el motor y el sistema de escape están calientes pueden causar quemaduras y hacer que se enciendan algunos materiales.

Mantenga nivelado el motor cuando lo transporte para reducir la posibilidad de que se produzcan fugas de combustible. Si el depósito de combustible está equipado con una válvula de combustible, mueva la palanca de combustible a la posición cerrada CLOSED u OFF.

CUIDADOS PARA PROBLEMAS INESPERADOS

NO ARRANCA EL MOTOR

Causa posible	Corrección
Batería descargada.	Recargue la batería.
Fusible fundido.	Sustituya el fusible.
Válvula de combustible CERRADA o APAGADA. (Si lo equipa)	Mueva la palanca a la posición OPEN u ON.
Interruptor del motor en la posición OFF.	Gire el interruptor del motor a la posición ON (p. 5).
Bajo nivel de aceite del motor (Modelos con Oil Alert, el motor se detiene).	Rellene con el aceite recomendado hasta el nivel correcto (p. 8).
Sin combustible.	Repueste (p. 7).
Combustible en mal estado; motor guardado sin tratamiento o drenaje de la gasolina o repostado con gasolina en mal estado.	Drene el depósito de combustible (p. 11). Repueste con gasolina nueva (p. 7).
Bujías averiadas, desgastadas o con huelgo incorrecto.	Coloque o sustituya las bujías (p. 10).
Bujías mojadas con combustible (motor inundado).	Seque y vuelva a instalar las bujías (p. 10).
Filtro de combustible obstruido, avería del sistema de inyección de combustible, mal funcionamiento del encendido, válvulas atascadas, etc.	Lleve el motor a su concesionario de servicio o consulte el manual de taller.

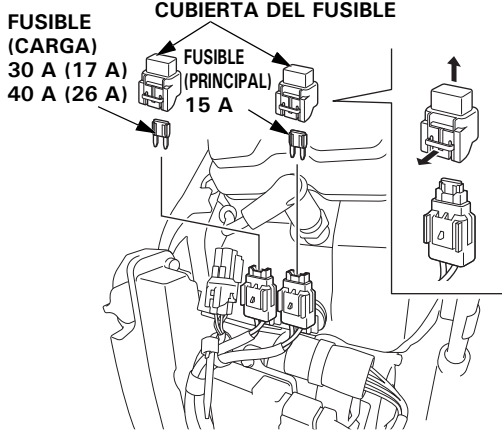
FALTA DE POTENCIA EN EL MOTOR

Causa posible	Corrección
Elemento(s) de filtro obstruido(s).	Limpie o reemplace los elementos del filtro (p. 9).
Combustible en mal estado; motor guardado sin tratamiento o drenaje de la gasolina o repostado con gasolina en mal estado.	Drene el depósito de combustible (p. 11). Repueste con gasolina nueva (p. 7).
Filtro de combustible obstruido, avería del sistema de inyección de combustible, mal funcionamiento del encendido, válvulas atascadas, etc.	Lleve el motor a su concesionario de servicio o consulte el manual de taller.

REEMPLAZO DEL FUSIBLE

El sistema de circuito del sistema eléctrico está protegido por un fusible. Si se quema el fusible, el sistema eléctrico no funcionará.

1. Extraiga la cubierta del fusible, e inspeccione el fusible.



Si el fusible está quemado, extráigalo y deséchelo. Instale un fusible nuevo.

AVISO

No utilice nunca un fusible con un amperaje distinto al especificado. Podrían producirse serios daños en el sistema eléctrico o podría producirse un incendio.

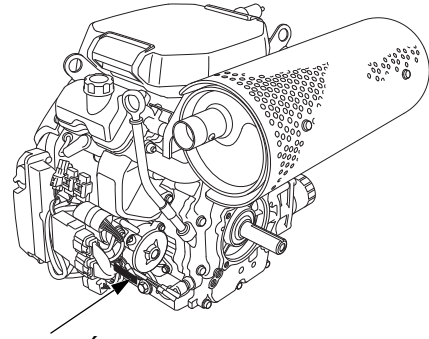
2. Vuelve a instalar la cubierta del fusible.

Un fallo del fusible normalmente indica que hay un cortocircuito o una sobrecarga en el sistema eléctrico. Si el fusible se quema, lleve el motor a su concesionario de servicio para que lo repare.

INFORMACIÓN TÉCNICA

Situación del número de serie

Anote el número de serie del motor, el tipo y la fecha de adquisición en los espacios siguientes. Necesitará esta información cuando realice pedidos de partes y consultas técnicas o sobre la garantía.



UBICACIÓN DEL NÚMERO DE SERIE Y DEL TIPO DE MOTOR

Número de serie del motor: _____

Tipo de motor: _____

Fecha de adquisición: ____ / ____ / ____

Conexiones de la batería para el motor de arranque eléctrico

Batería recomendada: 55B24 (12 V-36 Ah)

Tenga cuidado de no conectar la batería con las polaridades invertidas, porque cortocircuitaría el sistema eléctrico. Conecte siempre el cable positivo (+) de la batería al terminal de la batería antes de conectar el cable negativo (-) de la batería, para que sus herramientas no puedan causar un cortocircuito si tocan una parte puesta a tierra mientras se aprieta el extremo del cable positivo (+) de la batería.

Mantenga el cable de la batería apartado de la ECU (unidad de control del motor).

⚠ ADVERTENCIA

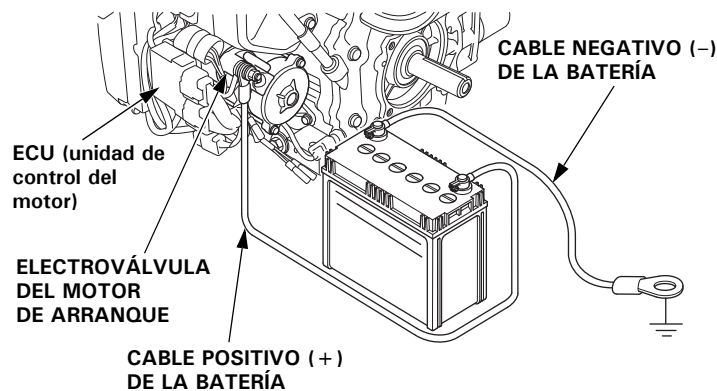
Una batería puede explotar si no se sigue el procedimiento correcto, pudiendo ocasionar heridas a las personas que estén cerca.

Mantenga las chispas, el fuego, y el tabaco apartados de la batería.

ADVERTENCIA: Los bornes, terminales, y accesorios relacionados con la batería contienen plomo y compuestos de plomo. **Lávese las manos después de manipular estos elementos.**

Compruebe que el interruptor del motor se encuentre en la posición OFF (consulte la página 5).

1. Conecte el cable positivo (+) de la batería al terminal del solenoide del arrancador como se muestra.
2. Conecte el cable negativo (-) de la batería a un perno de montaje del motor, perno del bastidor, o a otro lugar de conexión de tierra apropiado del motor.
3. Conecte el cable positivo (+) de la batería al terminal positivo (+) de la batería como se muestra.
4. Conecte el cable negativo (-) de la batería al terminal negativo (-) de la batería como se muestra.
5. Revista los terminales y los extremos de los cables con grasa.



⚠ ADVERTENCIA

La batería contiene ácido sulfúrico (electrolito), que es muy corrosivo y venenoso.

Si el electrolito entra en contacto con los ojos o la piel puede causar quemaduras graves.

Utilice prendas protectoras y protección ocular cuando trabaje cerca de la batería.

MANTENGA LA BATERÍA FUERA DEL ALCANCE DE LOS NIÑOS.

Información del sistema de control de las emisiones de escape

Garantía del sistema de control de las emisiones de escape

Su nuevo motor Honda cumple las regulaciones de las emisiones de escape de EPA de EE. UU. y del Estado de California. American Honda proporciona la misma cobertura de la garantía sobre emisiones para motores de equipos motorizados Honda vendidos en los 50 estados. En todas las zonas de Estados Unidos, su motor de equipos motorizados Honda se ha diseñado, fabricado y equipado para cumplir la norma sobre las emisiones de escape de EPA de EE. UU. y del Consejo de recursos de aire de California para motores de encendido por chispa.

Cobertura de la garantía

Esta garantía asegura que los motores de equipos motorizados Honda con certificación de las regulaciones CARB y U. S. EPA se suministran libres de defectos en materiales y mano de obra, los cuales pueden evitar que se cumplan los requisitos sobre emisiones de escape de U. S. EPA y CARB aplicables durante un mínimo de 2 años o mientras dure la *Garantía limitada del distribuidor de equipos motorizados Honda* (el periodo que sea más extenso), desde la fecha original de entrega al comprador minorista. Esta garantía es transferible a cada comprador posterior mientras siga en vigor el periodo de la garantía.

El diagnóstico, las piezas y la mano de obra no conllevarán ningún coste durante el periodo de garantía. Para obtener información sobre cómo hacer una reclamación de garantía, así como una descripción de cómo se puede realizar una reclamación y/o cómo se proporciona el servicio, póngase en contacto con un distribuidor de equipos motorizados Honda autorizado o con American Honda en:

Correo electrónico: powerequipmentemissions@ahm.honda.com
Teléfono: (888) 888-3139

Los componentes cubiertos incluyen todos los componentes cuyo fallo pueda aumentar las emisiones evaporativas o de contaminantes regulados de un motor. Puede ver una lista de componentes específicos en la declaración de la garantía sobre emisiones que se incluye por separado.

Las condiciones específicas de la garantía, cobertura, limitaciones y forma de solicitar el servicio de garantía también se establecen en la declaración de la garantía sobre emisiones que se incluye por separado. Además, la declaración de la garantía sobre emisiones también se puede consultar en el sitio web de equipos motorizados Honda o en el enlace siguiente:

<http://powerequipment.honda.com/support/warranty>

Origen de las emisiones de escape

El proceso de combustión produce monóxido de carbono, óxidos de nitrógeno e hidrocarburos. El control de los hidrocarburos y de los óxidos de nitrógeno es muy importante porque, bajo ciertas condiciones, reaccionan para formar humo fotoquímico cuando se exponen a la luz solar.

El monóxido de carbono no reacciona del mismo modo, pero es tóxico.

Honda emplea unas proporciones adecuadas de aire/combustible y otros sistemas de control para reducir las emisiones de monóxido de carbono, de óxidos de nitrógeno y de hidrocarburos.

Además, los sistemas de combustible Honda emplean componentes y tecnologías de control para reducir las emisiones de vapor de combustible.

Leyes del Aire Limpio de los EE. UU. y California, y Environment and Climate Change Canada (ECCC)

Las regulaciones de EPA de EE. UU., de California y Canadá estipulan que todos los fabricantes deben facilitar instrucciones escritas que describan el funcionamiento y el mantenimiento de los sistemas de control de las emisiones de escape.

Deberán seguirse las instrucciones y procedimientos siguientes para mantener las emisiones de escape del motor Honda dentro de lo estipulado por las normas acerca de dichas emisiones.

Manipulación indebida y alteraciones

AVISO

La manipulación indebida constituye una violación de las leyes de California y de las leyes federales.

La manipulación indebida o las alteraciones del sistema de control de las emisiones de escape pueden incrementar las emisiones hasta sobrepasar el límite legal. Entre los actos que constituyen una manipulación indebida se encuentran:

- Extracción o modificación de cualquier parte de los sistemas de admisión, combustible o escape.
- Modificación o supresión de la articulación del regulador o del mecanismo de ajuste de la velocidad para que el motor funcione fuera de sus parámetros de diseño.

Problemas que pueden afectar a las emisiones de escape

Si percibe alguno de los síntomas siguientes, solicite a su concesionario de servicio que inspeccione y repare el motor.

- Dificultades para arrancar o calado tras el arranque.
- Ralentí irregular.
- Fallos de encendido o detonaciones bajo carga.
- Combustión retardada (detonaciones).
- Humo negro de escape o alto consumo de combustible.

Repuestos

Los sistemas de control de las emisiones de escape de su nuevo motor Honda han sido diseñados, fabricados y certificados en cumplimiento de las disposiciones reglamentarias de las emisiones de escape estipuladas por la EPA (Agencia de Protección Ambiental) de EE.UU., California y Canadá. Recomendamos el empleo de repuestos originales Honda Genuine cuando se haga el mantenimiento. Estos repuestos de diseño original están fabricados con las mismas normas que las partes originales, por lo que podrá confiar en su rendimiento. Honda no puede rechazar la cobertura de la garantía de emisiones exclusivamente por el empleo de repuestos que no sean de Honda o tareas de servicio realizadas en una ubicación que no sea un concesionario autorizado Honda; se pueden utilizar piezas equivalentes certificadas por la EPA de EE.UU., así como solicitar el servicio en ubicaciones que no sean de Honda. Sin embargo, el empleo de repuestos que no son de diseño y calidad originales puede degradar la efectividad del sistema de control de las emisiones de escape.

Los fabricantes del mercado de repuestos asumen la responsabilidad de que el repuesto no afectará adversamente el rendimiento de las emisiones de escape. El fabricante o el remodelador del repuesto deberá certificar que el empleo del repuesto no ocasionará fallos del motor para que éste pueda cumplir las regulaciones sobre las emisiones de escape.

Mantenimiento

Como propietario del motor de equipos motorizados, usted es responsable de completar todo el mantenimiento necesario incluido en el manual del propietario. Honda le recomienda que conserve todos los recibos que cubran el mantenimiento en su motor de equipos motorizados, pero Honda no puede rechazar la cobertura de la garantía simplemente por la falta de recibos o porque usted no haya podido garantizar la realización de todo el mantenimiento programado.

Siga el PROGRAMA DE MANTENIMIENTO de la página 7.

Recuerde que este programa se basa en la suposición de que el motor se utiliza para su propósito original. El funcionamiento continuado con grandes cargas o altas temperaturas, o la utilización en entornos con polvo, requerirá que se realice el servicio con más frecuencia.

Índice de aire

(Modelos homologados para la venta en California)

En los motores que están certificados para un período de durabilidad de las emisiones de acuerdo con las estipulaciones del Consejo de recursos de aire de California se les pone una etiqueta de información sobre el índice de aire.

El gráfico de barras tiene el propósito de proporcionarle a usted, nuestro cliente, la posibilidad de comparar el rendimiento de las emisiones de escape de los motores disponibles. Cuanto más bajo es el índice de aire, menos contaminación produce.

La descripción de la durabilidad tiene el propósito de informarle sobre el período de durabilidad de las emisiones de escape del motor. El término descriptivo indica el período de vida de servicio del sistema de control de las emisiones de escape del motor. Consulte la *garantía del sistema de control de las emisiones de escape* para encontrar más información al respecto.

Término descriptivo	Aplicable al período de durabilidad de las emisiones
Moderado	50 horas (0–80 cc, incluido) 125 horas (más que 80 cc)
Intermedio	125 horas (0–80 cc, incluido) 250 horas (más que 80 cc)
Extendido	300 horas (0–80 cc, incluido) 500 horas (más que 80 cc) 1.000 horas (225 cc y más)

La etiqueta de información del índice de aire debe permanecer en el motor hasta el momento de su venta. Antes de poner en funcionamiento el motor, retire la etiqueta.

Especificaciones

iGX700 (tipo TXA2)

Longitud × Anchura × Altura	429 × 483 × 438 mm
Masa en seco [peso]	47,1 kg
Tipo de motor	Cuatro tiempos, árbol de levas en cabeza, 2 cilindros (cilindros dobles en V 90°)
Cilindrada [Diámetro × carrera]	688,0 cm ³ [78,0 × 72,0 mm]
Potencia neta (según SAE J1349*)	16,5 kW (22,4 CV) a 3.600 min ⁻¹ (rpm)
Par máx. neto (según SAE J1349*)	48,3 N·m (4,93 kgf·m) a 2.500 min ⁻¹ (rpm)
Capacidad del aceite del motor	Sin reemplazo del filtro de aceite: 1,5 L Con reemplazo del filtro de aceite: 1,7 L
Sistema de refrigeración	Aire forzado
Sistema de encendido	Encendido totalmente transistorizado
Rotación del eje de la TDF	Hacia la izquierda (desde el extremo de la toma de fuerza)

iGX800 (tipo TXA2)

Longitud × Anchura × Altura	429 × 492 × 438 mm
Masa en seco [peso]	46,9 kg
Tipo de motor	Cuatro tiempos, árbol de levas en cabeza, 2 cilindros (cilindros dobles en V 90°)
Cilindrada [Diámetro × carrera]	779,0 cm ³ [83,0 × 72,0 mm]
Potencia neta (según SAE J1349*)	18,6 kW (25,3 CV) a 3.600 min ⁻¹ (rpm)
Par máx. neto (según SAE J1349*)	54,5 N·m (5,56 kgf·m) a 2.500 min ⁻¹ (rpm)
Capacidad del aceite del motor	Sin reemplazo del filtro de aceite: 1,6 L Con reemplazo del filtro de aceite: 1,8 L
Sistema de refrigeración	Aire forzado
Sistema de encendido	Encendido totalmente transistorizado
Rotación del eje de la TDF	Hacia la izquierda (desde el extremo de la toma de fuerza)

* La potencia nominal del motor indicada en este documento es la potencia de salida neta probada en un modelo de motor fabricado en serie y medida conforme a la norma SAE J1349 a 3.600 min⁻¹(rpm) (potencia neta) y a 2.500 min⁻¹(rpm) (par motor neto máx.). Los motores de producción de masas pueden tener un valor distinto a este.

La potencia de salida real del motor instalado en el vehículo final variará dependiendo de numerosos factores, entre los que destacan la velocidad de funcionamiento aplicada al motor, las condiciones medioambientales, el mantenimiento y otras variables.

Especificaciones de puesta a punto

ELEMENTO	ESPECIFICACIÓN	MANTENIMIENTO
Huelgo de bujía	0,7–0,8 mm	Consultar la página 10
Holgura de la válvula (frío)	AD: 0,20 ± 0,02 mm ES: 0,20 ± 0,02 mm	Consulte a su concesionario de servicio
Otras especificaciones	No se necesita ningún otro ajuste.	

Información de referencia rápida

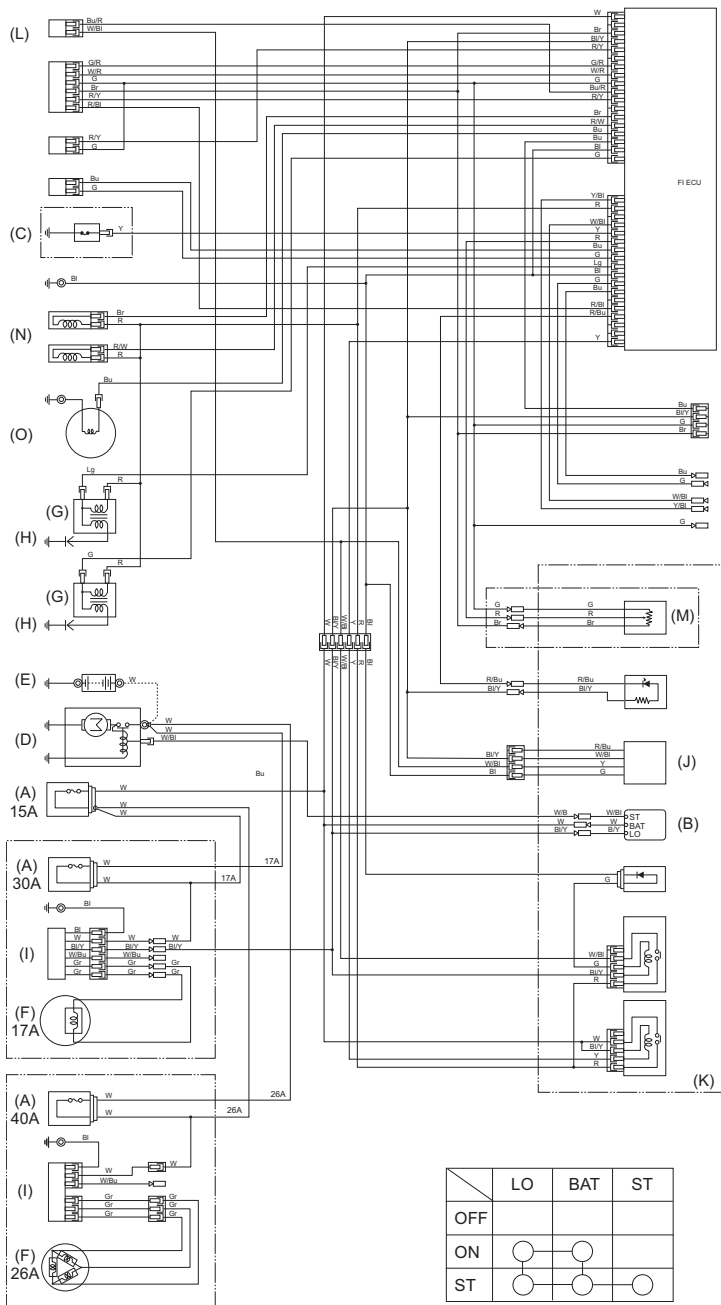
Combustible	Gasolina sin plomo (Consulte la página 7).	
	EE.UU.	86 octanos de bomba o superior
	Excepto EE.UU.	91 octanos de investigación o superior 86 octanos de bomba o superior
Aceite del motor	SAE 10W-30, API SJ o posterior, para usos generales. Consultar la página 8.	
Bujía	BPR5ES (NGK)	
Mantenimiento	Antes de cada uso:	
	<ul style="list-style-type: none"> • Compruebe el nivel de aceite del motor. Consultar la página 8. • Compruebe el filtro de aire. Consultar la página 9. 	
	Primeras 20 horas: Cambie el aceite del motor. Consultar la página 8.	
Siguiendo: Consultar el programa de mantenimiento de la página 7.		

Diagramas de conexiones

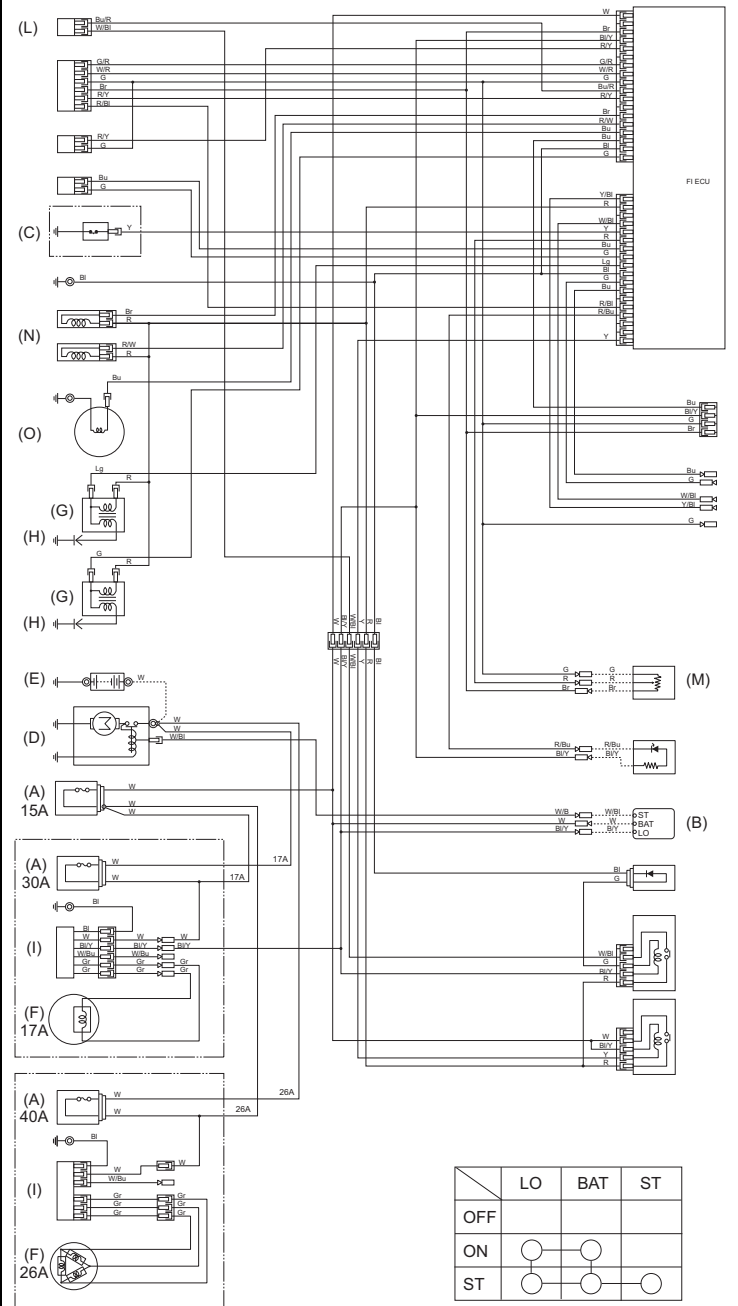
- (A) FUSIBLE
- (B) INTERRUPTOR DEL MOTOR
- (C) INTERRUPTOR DE NIVEL DE ACEITE
- (D) MOTOR DE ARRANQUE
- (E) BATERÍA
- (F) BOBINA DE CARGA
- (G) BOBINA DE ENCENDIDO
- (H) BUJÍA
- (I) BOBINA DE ENCENDIDO
- (J) REGULADOR RECTIFICADOR
- (K) CONTADOR HORARIO
- (L) BOMBA DE COMBUSTIBLE
- (M) CONTROL DEL ACELERADOR
- (N) INYECCIÓN
- (O) BOBINA DEL GENERADOR DE IMPULSOS

Bl	Negro
Br	Marrón
Bu	Azul
G	Verde
Gr	Gris
Lb	Azul claro
Lg	Verde claro
O	Naranja
P	Rosa
R	Rojo
W	Blanco
Y	Amarillo

Modelo con caja de control



Modelo sin caja de control



INFORMACIÓN DEL CONSUMIDOR

Garantía e información para encontrar distribuidores/concesionarios

Estados Unidos, Puerto Rico, e Islas Vírgenes Estadounidenses:

Visite nuestro sitio web: www.honda-engines.com

Canadá:

Llame al (888) 9HONDA9

o visite nuestro sitio web: www.honda.ca

Para la zona de Europa:

Visite nuestro sitio web: <http://www.honda-engines-eu.com>

Información de servicio para clientes

El personal de los concesionarios de servicio son profesionales entrenados. Ellos podrán contestar a cualquier pregunta que usted les haga. Si se encuentra con un problema que su concesionario no puede resolver satisfactoriamente, comuníquese al jefe del concesionario. El jefe de servicio, el director general, o el propietario podrán ayudarle.

Casi todos los problemas se resuelven de este modo.

Estados Unidos, Puerto Rico, e Islas Vírgenes Estadounidenses:

Si no queda satisfecho con la decisión tomada por los jefes del concesionario, póngase en contacto con el distribuidor regional de motores Honda de su localidad.

Si todavía no está satisfecho después de hablar con el distribuidor regional de motores, puede ponerse en contacto con la Oficina de Honda indicada.

Todas las otras zonas:

Si no queda satisfecho con la decisión tomada por los jefes del concesionario, póngase en contacto con la Oficina de Honda como se muestra.

«Oficina de Honda»

Cuando escriba o llame, tenga la amabilidad de incluir la información siguiente:

- Nombre del fabricante y número de modelo del equipo al que se ha montado el motor
- Modelo, número de serie, y tipo del motor (vea la página 13)
- Nombre del concesionario que le vendió el motor
- Nombre, dirección, y persona de contacto del concesionario que realiza el servicio de su motor
- Fecha de adquisición
- Su nombre, dirección y número de teléfono
- Una descripción detallada del problema

Estados Unidos, Puerto Rico, e Islas Vírgenes Estadounidenses:

American Honda Motor Co., Inc.

Power Equipment Division
Oficina de relaciones con el cliente
4900 Marconi Drive
Alpharetta, GA 30005-8847

O llamar por teléfono: (770) 497-6400, 8:30 a. m. - 7:00 p. m. ET

Canadá:

Honda Canada, Inc.

Visite www.honda.ca
para obtener información sobre direcciones

Teléfono: (888) 9HONDA9 Llamada gratuita
(888) 946-6329

Facsímil: (877) 939-0909 Llamada gratuita

Para la zona de Europa:

Honda Motor Europe Logistics NV. European Engine Center

<http://www.honda-engines-eu.com>

Todas las otras zonas:

Póngase en contacto con el distribuidor Honda de su zona para que le ayude.

Garantía internacional de los motores Honda de uso general

El motor Honda de uso general instalado en este producto de marca está cubierto por una garantía de motor Honda de uso general, bajo las condiciones siguientes.

- Las condiciones de garantía conforman las de los motores de uso general establecidas por Honda para cada país.
- Las condiciones de garantía se aplican a las averías de motores causadas por un problema de fabricación o de especificaciones.
- La garantía no se aplica en los países en los que no haya ningún distribuidor de Honda.

Para obtener el servicio de garantía:

Deberá llevar su motor Honda, o el equipo donde está instalado, junto con el comprobante de la fecha de compra original a un concesionario de motores Honda autorizado para vender dicho producto en su país, o al concesionario donde compró el producto.

Para localizar un distribuidor/concesionario Honda cercano o comprobar el estado de la garantía en su país, visite nuestro sitio web de información de servicio global <https://www.hppsv.com/ENG/>, o póngase en contacto con un distribuidor de su país.

Exclusiones:

La garantía de este motor no incluye lo siguiente:

1. Los daños o deterioros provocados por lo siguiente:
 - Negligencia en el mantenimiento periódico según lo especificado en el manual del propietario del motor
 - Reparación o mantenimiento no adecuados
 - Métodos de funcionamiento distintos de los indicados en el manual del propietario del motor
 - Daños provocados por el producto en el que está instalado el motor
 - Daños provocados por la conversión a, o el uso de, combustible distinto del combustible para el que el motor se fabricó inicialmente, según lo establecido en el manual del propietario del motor y/o en el folleto de garantía
 - El uso de piezas y accesorios no originales de Honda, distintos de los aprobados por Honda (distintos de los lubricantes y líquidos recomendados) (no se aplica a la garantía de emisiones a menos que la pieza no original utilizada no sea comparable a la pieza de Honda y sea la causa de la avería)
 - Exposición del producto a hollín y humo, agentes químicos, excrementos de aves, agua marina, brisa marina, sal u otros fenómenos ambientales
 - Colisión, contaminación o deterioro del combustible, negligencia, alteración no autorizada o uso indebido
 - Desgaste y rotura naturales (decoloración natural de las superficies pintadas o cromadas, descascarado de láminas y otros tipos de deterioro natural)
2. Piezas consumibles: Honda no garantiza el deterioro de las piezas debido al desgaste y rotura normales. Las piezas indicadas a continuación no están cubiertas por la garantía (a menos que sean necesarias como parte de otra reparación de garantía):
 - Bujía, filtro de combustible, elemento del filtro de aire, disco de embrague, cuerda de arranque retráctil
 - Lubricante: aceite y grasa
3. Limpieza, ajuste y tareas normales de mantenimiento periódico (limpieza del carburador y drenaje de aceite del motor).
4. Uso del motor Honda de uso general para carreras o competiciones.
5. Cualquier motor que forme parte de un producto declarado como pérdida total o vendido como restos por una institución financiera o aseguradora.

Acerca de la etiqueta de MANTENIMIENTO Y ASISTENCIA

Es posible que su motor Honda tenga adherida una etiqueta de MANTENIMIENTO Y ASISTENCIA*.

Si visita nuestro sitio web escaneando este código de barras bidimensional (código QR), encontrará información de servicio.

* Esta etiqueta no está adherida a todos los modelos.



https://www.hondappsv.com/ENG/QR/GX700_800/

—NOTA—

HONDA